

Garth Code : B333
Customer Item ID : 3180812
APN : 9333417015901
BBQ Name on Carton : Jumbuck
BBQ Name on Fascia : Jumbuck

Component Breakdown

Code	Description	Box Length	Box Width	Box Height	Net Weight	Gross Weight
B333	Charcoal BBQ	485	160	485	4.5kg	5kg

Assembled Dimensions

Overall Length	Overall Width	Overall Height	Overall Weight
500mm	475mm	800mm	4.5kg

Miscellaneous Information

Cooking Area	405*435mm
Total Heat Input	N/A
Supply Pressure	N/A
Gas Type	N/A
NG Conversion	N/A
BBQ cover	NO
Warranty	12 Months

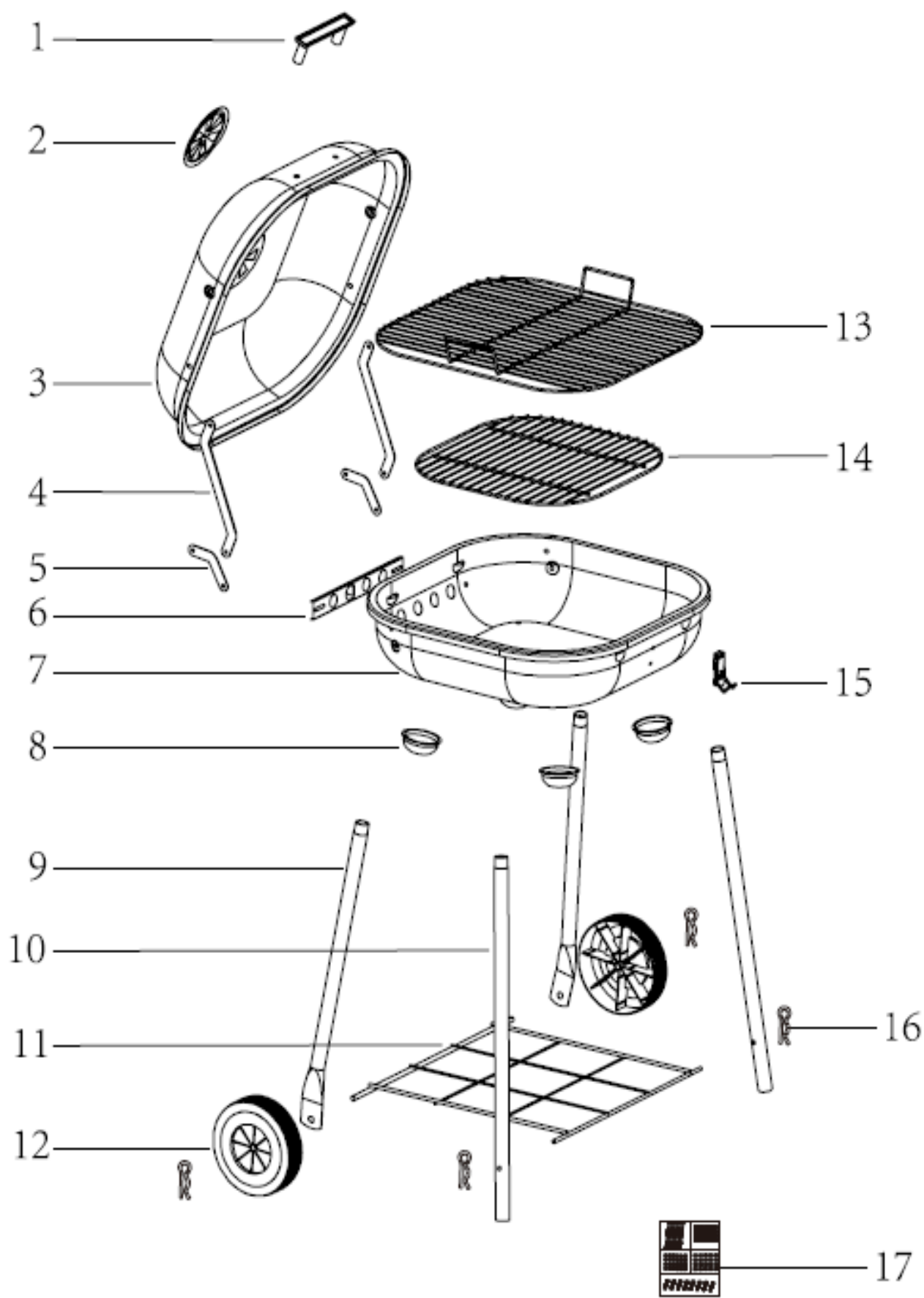


LISTED ON GARTHSUPPORT: YES

Features

BBQ body with black gloss enamel. material steel
Chrome plated grill, material steel
Wire base

garth
outdoor leisure



PART NUMBER	PART NAME	SUPPLIER CODE
1	Lid Handle	HAHA18-0101-14000-079
2	Lid ventilation plate	HAHA18-0201-10040-076
3	Lid	HAHA18-0301-04040-086
4	Long hinge	HAHA18-0401-04120-082
5	Short hinge	HAHA18-0501-04120-082
6	BBQ body ventilation plate	HAHA18-0601-10040-076
7	BBQ body	HAHA18-0701-04040-087
8	Leg cup	HAHA18-0801-04120-074
9	Short leg	HAHA18-0901-01000-088
10	Long leg	HAHA18-1001-01000-088
11	Wire base	HAHA18-1102-01000-088
12	Wheel	HAHA18-1201-13000-080
13	Grill	HAHA18-1301-01000-082
14	Charcoal tray	HAHA18-1401-01000-088
15	Lock	HAHA18-1501-00000-082
16	R pin	HAHA18-1601-00000-080
17	Bolt pack	BP-B333-1

garth
outdoor leisure