

Garth Code : PZ-1-NZ

Customer Item ID :

APN :

BBQ Name on Carton :

### Component Breakdown

Code	Description	Box Length	Box Width	Box Height	Net Weight	Gross Weight
PZ-1-NZ	Oven Compartment	830mm	665mm	935mm	122.00kg	135.00kg
PZ-1-NZ	Wood Storage Box	785mm	665mm	625mm	24.00kg	27.00kg

### Assembled Dimensions

Overall Length	Overall Width	Overall Height	Overall Weight
685mm	630mm	2066mm	147.00kg



**Position of Data Plate : the rear of the pizza oven**

### Features

Temperature Gauge

Viewing Windows

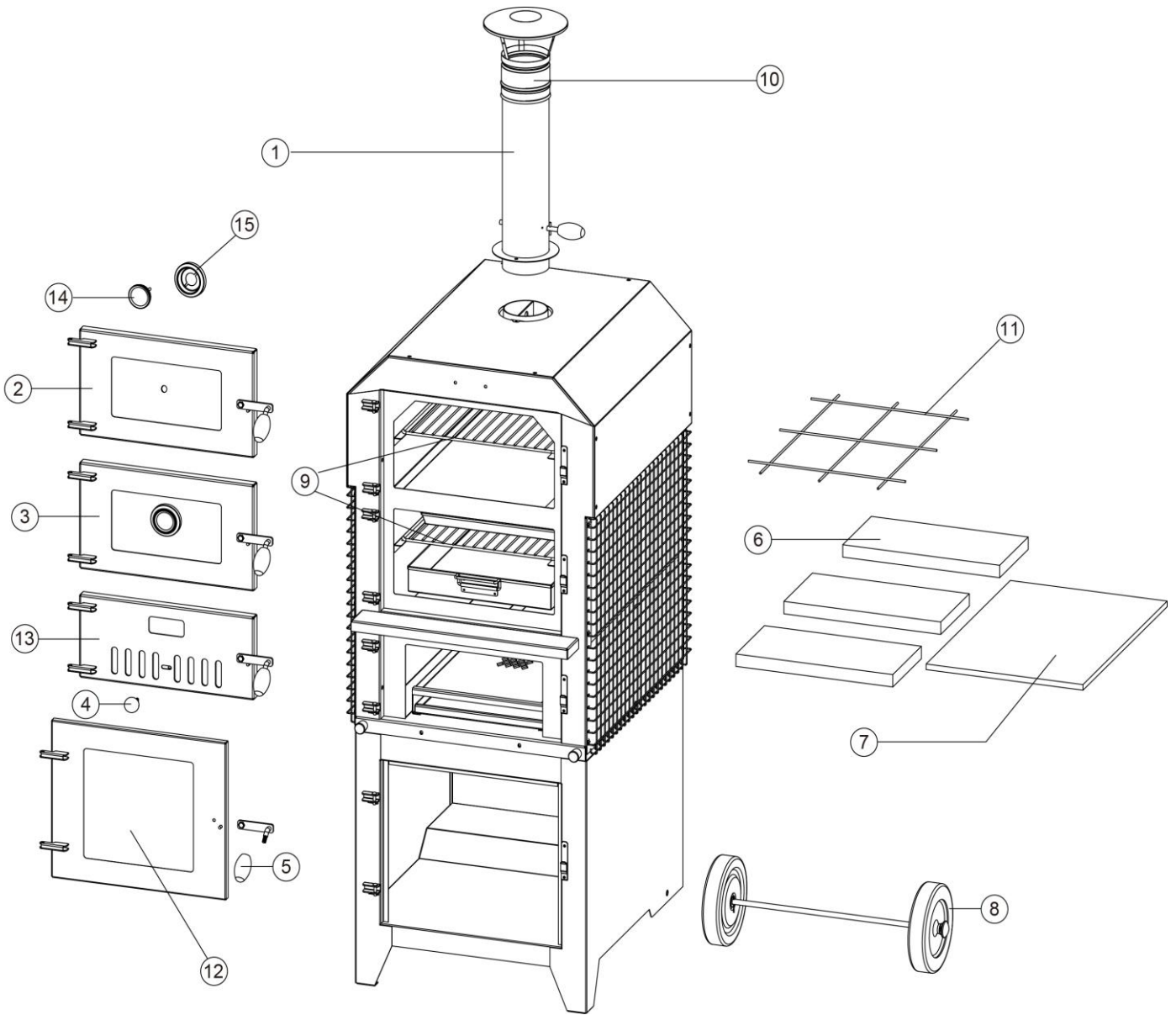
Smoking Oven

Fully Enclosed Oven with Ceramic Pizza Tile Base

Fire Box

Wood Storage Cabinet

Plastic Wheels



Item	Description	Spares Codes	Available or Not
1	Pizza Oven Chimney	PZSP-13	N/A
2	Smoker Door Assembly Section	PZSP-12-R	N/A
3	Oven Door Assembly Section	PZSP-11-R	N/A
4	Combustion Chamber Handle	PZSP-10	
5	Pizza Oven Handle	P5976	
6	Pizza Brick	PZSP-7	N/A
7	Ceramic Pizza Stone Plate	PZSP-5	
8	Pizza Oven Wheel	PZSP-14	
9	Sliding Wire Tray	PZSP-4	
10	Chimney Top	PZSP-8	
11	Pizza Stone Wire Rack	PZSP-20	
12	Wood Storage Door	PZSP-19	N/A
13	Combustion Chamber Door	PZSP-9	N/A
14	Temp Gauge	PZ110722	
15	Temp Gauge Bezel	PZ060208	
16	Bolt Pack	BP-PZ-1	

**garth**  
outdoor leisure