

Garth Code : BUN-535-AA.22

Customer Item ID : 0368333

APN : 9333417024217

BBQ Name on Carton : Electra Indoor/Outdoor Electric Grill

BBQ Name on Fascia : Jumbuck

Component Breakdown

Code	Description	Box Length	Box Width	Box Height	Net Weight	Gross Weight
BUN-535-AA.22	Electra Indoor/Outdoor Electric Grill	608 MM	336 MM	648 MM	8.4 Kg	11.3 Kg

Assembled Dimensions

Overall Length	Overall Width	Overall Height	Overall Weight
613 MM	534 MM	830 MM	8.4 KG

Miscellaneous Information

Cooking Area	390 x 290 mm
Total Heat Input	2200 W
Supply Pressure	N/A
Gas Type	N/A
NG Conversion	N/A
BBQ cover	NO

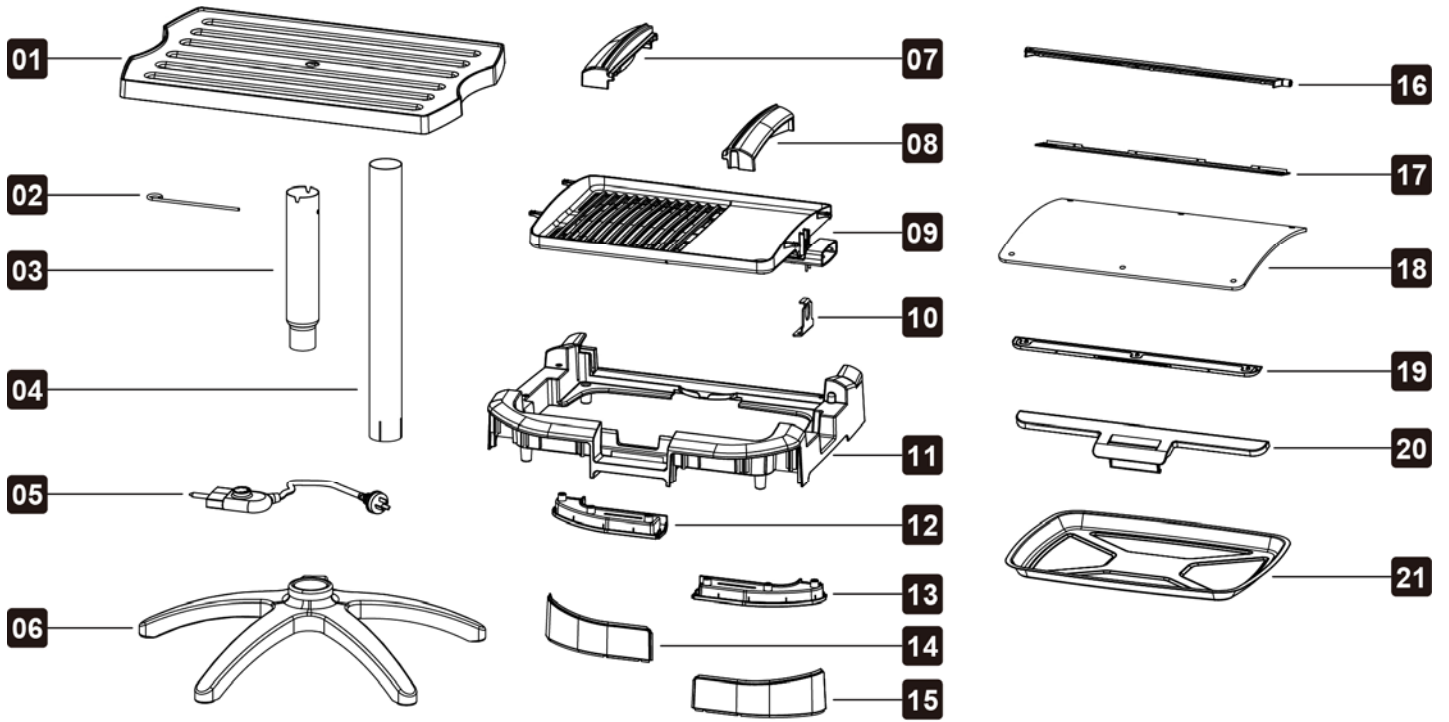


Position of Data Plate : On Electric Grill base

Features

1. Hotplate with heating element
2. Removeable lid
3. Temperature sensor
4. With support table

BUN-535-AA.22



PART NUMBER	PART NAME	SUPPLIER CODE
1	Table top bench	CKTR0-22101-13000-000
2	Top bench locking pin	CKTR0-22201-09000-080
3	Table top support pole	CKTR0-22301-01000-074
4	Table bottom support pole	CKTR0-22302-01000-074
5	Temperature sensor	CKEG0-00101-13000-000
6	Table base	CKTR0-22401-13000-000
7	Hotplate left handle	CKBQ0-12601-13000-000
8	Hotplate right handle	CKBQ0-12701-13000-000
9	Hotplate (with heating element)	CKBQ0-00201-03000-003
10	Electric grill base connection plate	CKEG0-00701-10120-080
11	Electric grill base	CKEG0-00201-13000-000
12	Electric grill base left foot	CKEG0-00501-13000-000
13	Electric grill base right foot	CKEG0-00601-13000-000
14	Electric grill base left corner	CKEG0-00301-10040-081
15	Electric grill base right corner	CKEG0-00401-10040-081
16	Lid rear part	CKHD0-03501-13000-000
17	Lid rear part inner	CKHD0-03601-10040-080
18	Lid glass	CKHD0-01401-19000-080
19	Lid front part inner	CKHD0-03401-10040-080
20	Lid front part	CKHD0-03301-13000-000
21	Fat tray	CKBQ0-02001-06040-080