

Garth Code : B316-B1-D

Customer Item ID :3180798

APN : 9333417015758

BBQ Name on Carton : ARTISTE , 4 Burner outdoor BBQkitchen

BBQ Name on Fascia :Matador

Component Breakdown

Code	Description	Box Length	Box Width	Box Height	Net Weight	Gross Weight
B316-B1-D	Lid / BBQ / Trolley	897MM	725MM	620MM	62.5kg	72.8kg
B316-B1-D	Teppanyaki unit	690MM	690MM	360MM	30.7kg	35.3kg
B316-B1-D	Sink unit	690MM	690MM	360MM	37.5kg	42.2kg

Assembled Dimensions

Overall Length	Overall Width	Overall Height	Overall Weight
2793MM	661MM	1237MM	130.7kg

Miscellaneous Information

Cooking Area	780*480mm
Total Heat Input	69 Mj/hr for Main BBQ, 23.4Mj/hr for Teppanyaki
Supply Pressure	2.75 Kpa
Gas Type	ULPG
NG Conversion	YES
BBQ cover	Included (B316-B1D-C)



Hood window glass code:GB316

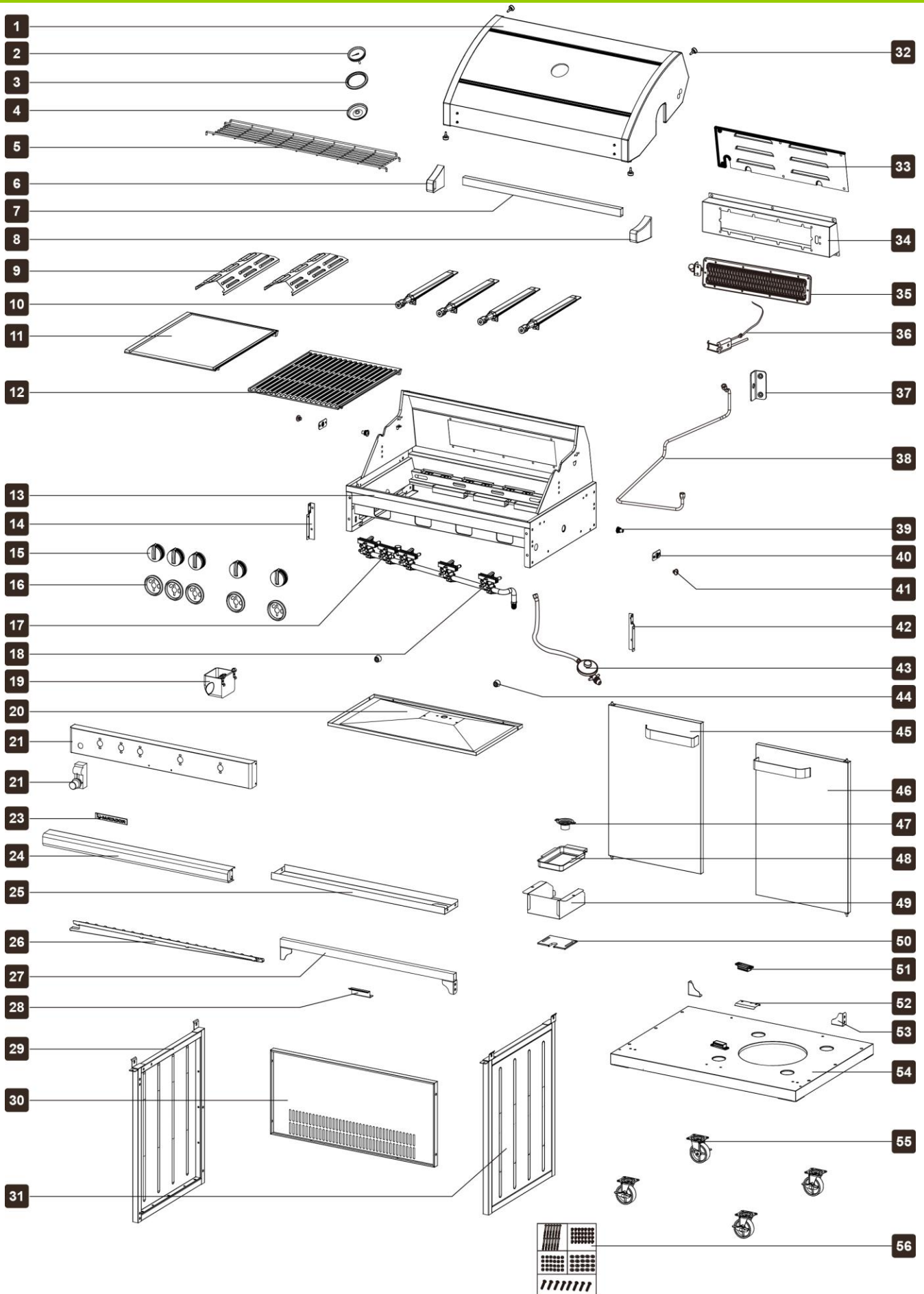
LISTED ON GARTHSUPPORT: YES

Position of Data Plate : the Right Side of the BBQ Frame

Features

- S/S Hood with NFP finish
- Enameled BBQ frame with S/S Fascia
- Black Matt enamel Grillsmart hotplates and grill
- Aluminium Coated V Shape Flame Tamer
- Jet Flame Ignition to all Main Burners, rotary ignition for Teppanyaki
- Rear Burner
- Cabinet trolley with castors

B316-BQ

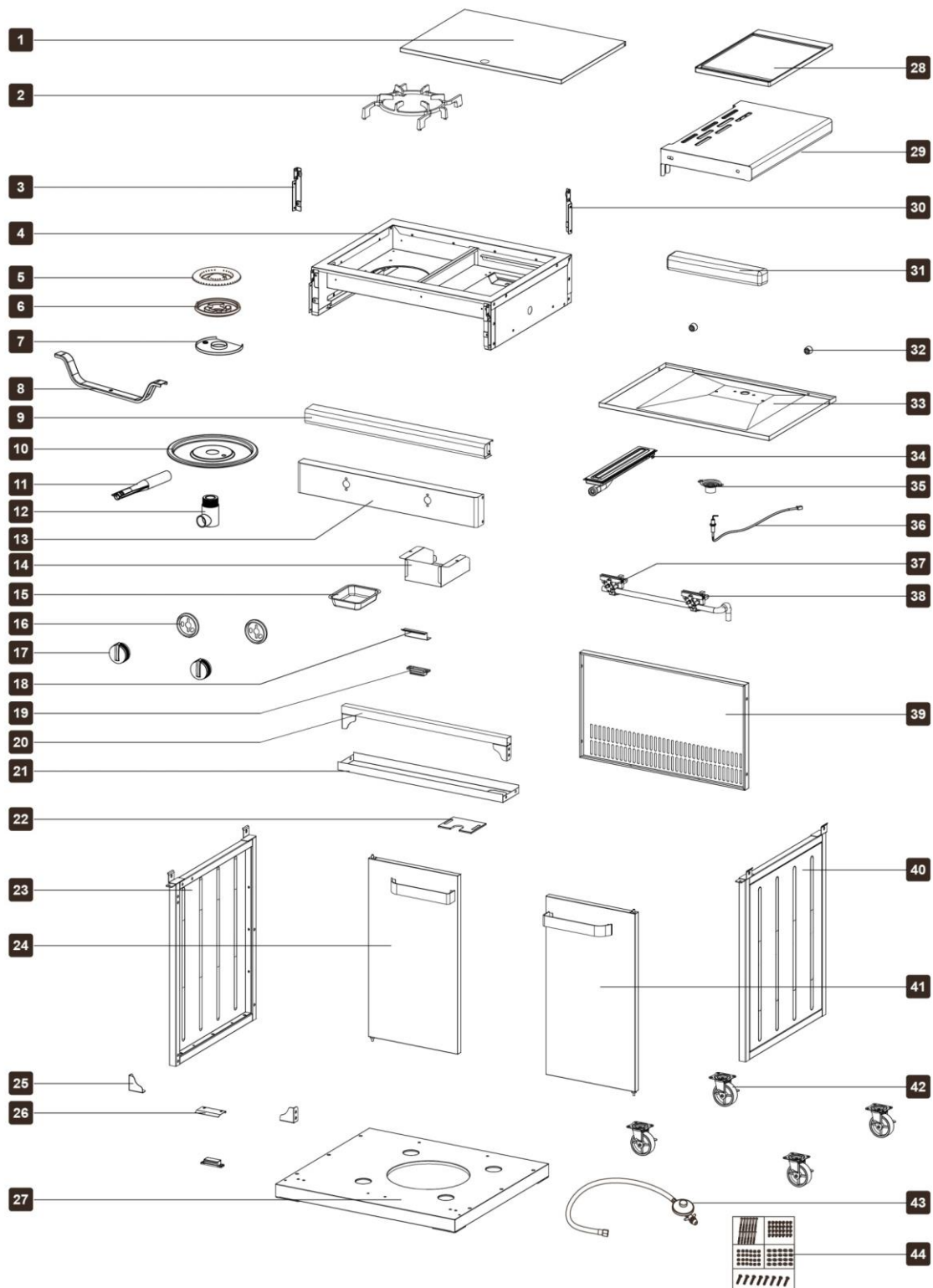


PART NUMBER	PART NAME	SUPPLIER CODE
1	Hood Outer	L4HD4-2301-00000-081
2	Temperature Gauge	N160307
3	Temperature gauge bezel	BS111019
4	Temperature gauge Bowl	TG-B05
5	Warming Rack	L4BQ4-0101-01350-011
6	Left Hood Handle Base	L4HD0-1201-03000-026
7	Hood Handle	L4HD4-1101-01080-026
8	Right Hood Handle Base	L4HD0-1301-03000-026
9	V shape flame tamer	FT-001-06-080
10	Main burner	BR160122
11	Grillsmart hotplate	B03059-M
12	Grillsmart grill	B03060-M
13	BBQ frame	L4BQ4-2802-04000-011
14	Fascia left support panel	L4BQ0-4101-05070-080
15	Control knob	BKNB-217A
16	Control knob Bezel	BS140521
17	Rear Burner Gas Valve	GC-049A
18	Main burner gas Valve	GC-075A
19	Oil cup	L4BQ0-1401-14000-079
20	Fat tray panel	L4BQ4-2001-05060-080
21	Fascia	L4BQ4-2301-09050-081
22	Ignition box	PI-PT01
23	Badge	BA-B2016
24	BBQ front decoration part	L4BQ4-2201-07060-026
25	Fat tray heat shield	L4BQ4-2901-05060-080
26	Oil channel	L4BQ4-1301-10050-080
27	Cabinet front top cross bar	L4TR4-1501-01080-026
28	Cabinet door top bracket	L4TR0-7201-09100-026
29	Cabinet left side panel	L4TR0-1701-07060-026
30	Cabinet back panel	L4TR4-1601-07050-026
31	Cabinet right side panel	L4TR0-1801-07060-026
32	Rubber bumper	K2224
33	Rear Burner Cover	L4BQ0-5101-04000-011
34	Rear Burner Holder	L4BQ0-5401-04000-011
35	Rear Burner	TMA0823
36	Rear burner ignition pin & ignition wire	UL-1460
37	Rear burner ignition pin holder	L4BQ0-07401-04100-011

PART NUMBER	PART NAME	SUPPLIER CODE
38	Flexible pipe	FP-112-01
39	Hood hinge pin	L4HD0-0101-01000-077
40	Hood hinge holder	L4HD0-0301-01000-077
41	Hood hinge screw	L4HD0-0201-01000-077
42	Fascia right support panel	L4BQ0-4201-05070-080
43	Hose and Regulator	RC008002
44	Fat tray knob	PHPB-036
45	Left door	L4TR4-2201-09050-081
46	Right door	L4TR4-2301-09050-081
47	Fat tray channel	L4BQ0-4601-05070-080
48	Oil cup box	L4BQ0-4701-05050-080
49	Oil cup shield	L4BQ0-4501-05050-080
50	Regulator cover	L4BQ0-3001-05035-080
51	Magnet	BHB-GC078
52	Cabinet magnet holder	L4TR0-2101-09050-080
53	Cabinet Support Corner	L4TR0-7701-07050-026
54	Cabinet Bottom Panel	L4TR4-1901-07060-026
55	Castor	VM110416
56	Bolt Pack	BP-B316-B1-D-1

garth
outdoor leisure

B316-TB

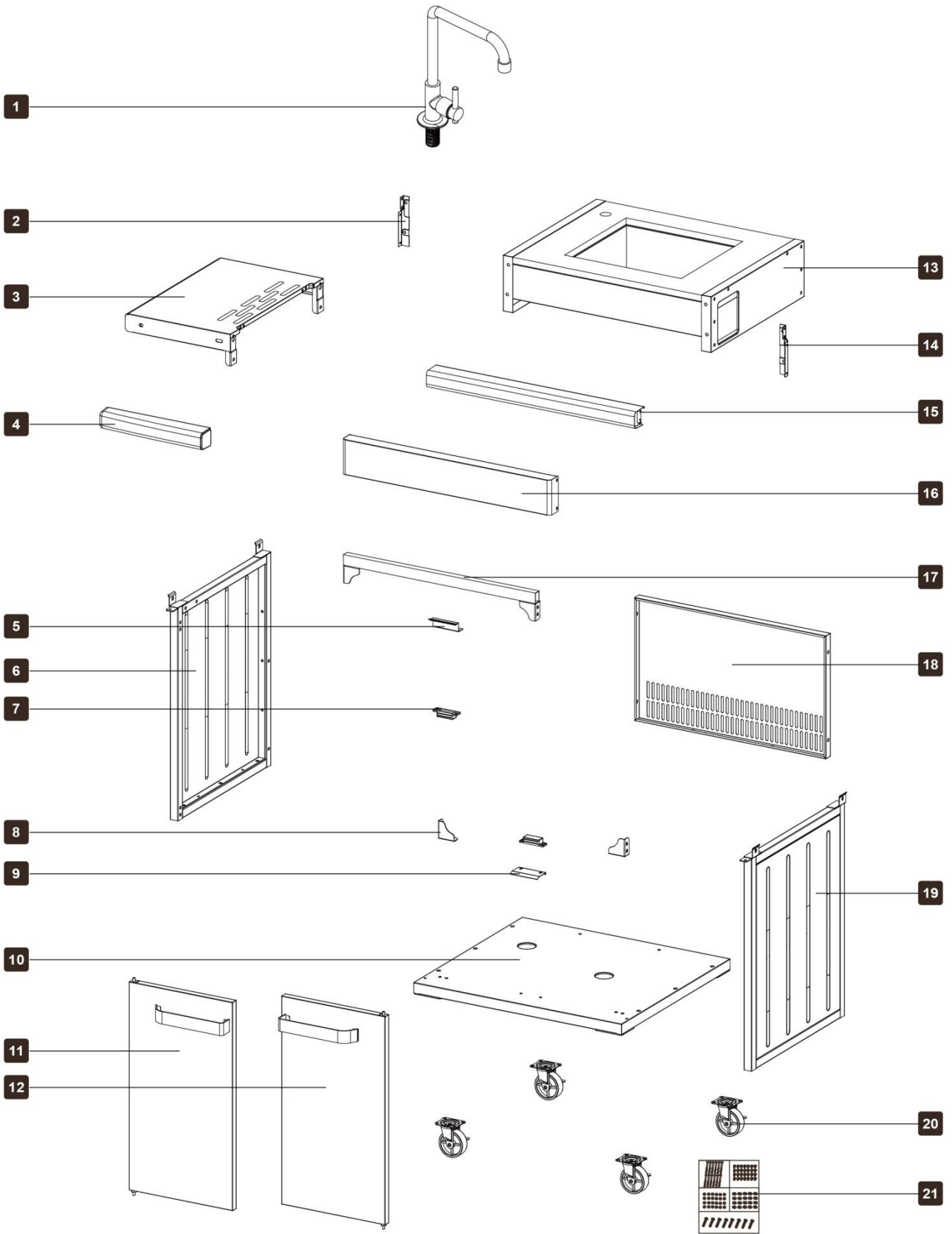


PART NUMBER	PART NAME	SUPPLIER CODE
1	Side Burner Lid	L4TB0-0201-07060-026
2	Cast Iron Trivet	SB101
3	Fascia left support panel	L4BQ0-4101-05070-080
4	Side burner BBQ frame	L4TB0-0301-07060-026
5	Wok Burner Top	TMB001
6	Wok Buner Base	TMB001-1
7	Ignition Pin Holder	TMA0508
8	Side Burner Under Strut	L4TB0-1301-04100-026
9	Side burner unit front decoration panel	L4TB0-0901-07060-026
10	Side burner bowl	SB002
11	Venturi	TMA0906
12	Wok Burner Elbow	TMA0504
13	Teppanyaki Fascia	L4TB0-1401-09050-081
14	Oil cup shield	L4BQ0-4501-05050-080
15	Oil cup box	L4BQ0-4701-05050-080
16	Control knob	BKNB-217A
17	Control knob Bezel	BS140521
18	Cabinet door top bracket	L4TR0-7201-09100-026
19	Magnet	BHB-GC078
20	Cabinet front top cross bar	L4TB0-0601-01080-026
21	Fat tray heat shield	L4TB0-1501-05060-080
22	Regulator cover	L4BQ0-3001-05035-080
23	Cabinet left side panel	L4TR0-1701-07060-026
24	Left door	L4TB0-1601-09050-081
25	Cabinet Support Corner	L4TR0-7701-07050-026
26	Cabinet magnet holder	L4TR0-2101-09050-080
27	Cabinet Bottom Panel	L4TB0-1201-07060-026
28	Teppanyaki Hotplate	B03097
29	Left side Shelf	L4TR0-0101-07050-026
30	Fascia right support panel	L4BQ0-4201-05070-080
31	Side Shelf Decoration Strip	L4TR0-0401-07060-026
32	Fat tray knob	PHPB-036
33	Fat tray panel	L4TB0-1801-05060-080
34	Pressed Burner	BR160224
35	Fat tray channel	L4BQ0-4601-05070-080
36	Ignition Wire	Q3547B
37	Wok Burner Gas Valve	GC-078A
38	Pressed Burner Gas Valve	GC-079A
39	Cabinet back panel	L4TB0-0701-07050-026

40	Cabinet right side panel	L4TR0-1801-07060-026
41	right door	L4TB0-1701-09050-081
42	Castor	VM110416
43	Hose and Regulator	RC008002
44	Bolt Pack	BP-B316-B1-D-2

garth
outdoor leisure

B316-ST



PART NUMBER	PART NAME	SUPPLIER CODE
1	Tap	TAP160510
2	Fascia left support panel	L4BQ0-4101-05070-080
3	Left side Shelf	L4TR0-0101-07050-026
4	Left side shelf decoration part	L4TR0-0401-07060-026
5	Cabinet door top bracket	L4TR0-7201-09100-026
6	Cabinet left side panel	L4TR0-1701-07060-026
7	Magnet	BHB-GC078
8	Cabinet Support Corner	L4TR0-7701-07050-026
9	Cabinet magnet holder	L4TR0-2101-09050-080
10	Cabinet Bottom Panel	L4ST0-0701-07060-026
11	Left door	L4TB0-1601-09050-081
12	Right door	L4TB0-1701-09050-081
13	Sink unit BBQ frame	L4ST0-1001-00000-080
14	Fascia right support panel	L4BQ0-4201-05070-080
15	Side burner unit front decoration panel	L4TB0-0901-07060-026
16	Sink Fascia	L4ST0-0901-09050-081
17	Cabinet front top cross bar	L4TB0-0601-01080-026
18	Sink Cabinet back panel	L4TB0-0701-07050-026
19	Cabinet right side panel	L4TR0-1801-07060-026
20	Castor	VM110416
21	Bolt Pack	BP-B316-B1-D-3

garth
outdoor leisure