

FANCY

PATIO HEATER

Enders[®]



www.enders-germany.com

544184

FANCY BUN-575-AA.22

AUS/NZ

INSTRUCTION MANUAL

CONTENT

INFORMATION REGARDING 3

SYMBOLS IN THESE INSTRUCTIONS 3

UNPACKING 4

SAFETY NOTICE
 REQUIRED TOOLS/AUXILIARY MATERIALS
 PARTS DESCRIPTION
 SCOPE OF DELIVERY

ASSEMBLY STEPS 6

SAFETY NOTICE
 REQUIRED TOOLS/AUXILIARY MATERIALS
 ASSEMBLY PROCESS

CONNECTING THE GAS CYLINDER 13

SAFETY NOTICE
 REQUIRED TOOLS/AUXILIARY MATERIALS
 ASSEMBLY PROCESS
 CHANGING GAS CONNECTION

INSTALLATION 17

OPERATING 19

SAFETY NOTICE
 TURNING ON
 TURNING OFF
 MALFUNCTION AND REMEDY
 FIRST AID MEASURES

CLEANING/SERVICING 22

SAFETY NOTICE

STORAGE/TRANSPORT 23

SAFETY NOTICE

DISPOSAL 23

TECHNICAL SPECIFICATIONS 24

WARRANTY 25

SPARE PARTS 27

MANUFACTURER 28

INFORMATION REGARDING

Congratulations on purchasing this Enders product!

Please read and observe these instructions for use and particularly the safety notice before using the product and only use the product as described in these instructions, to prevent accidental injuries or damages.

Keep these instructions for future reference. If the product is given to someone else, please include these instructions.

Have fun with your Enders patio heater.

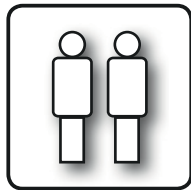
SYMBOLS IN THESE INSTRUCTIONS



This symbol stands for the word **ATTENTION** and warns of possible injuries or material damages as well as damage to the appliance.



Tools are required.



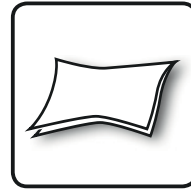
Have another person help you here.



Do not use a cutter or similar sharp objects when opening the packaging, to avoid making scratches on the product.



Useful tips and information.



Furthermore, during assembly, place a soft mat beneath the components, to avoid scratches and damages here as well.



Wear safety gloves during assembly, to avoid getting cut.

UNPACKING

SAFETY NOTICE



- Despite careful processing of all individual parts, individual components can have sharp edges. Therefore, please wear safety gloves, to avoid getting cut.
- Risk of death by suffocation/swallowing. Keep the packaging materials out of the reach of children and dispose of it immediately. Also keep small parts out of their reach.

REQUIRED TOOLS/AUXILIARY MATERIALS

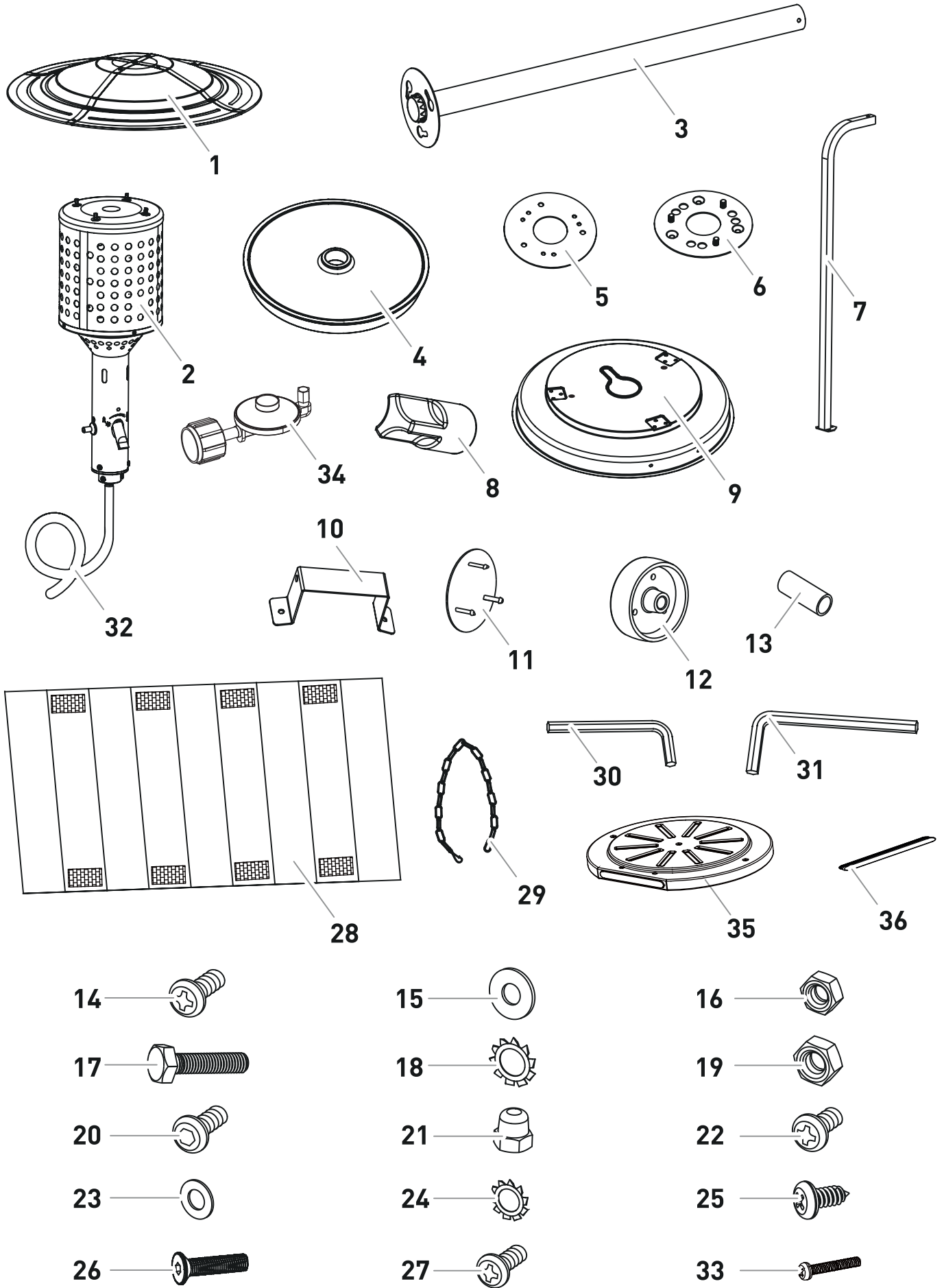


PARTS DESCRIPTION

No.	Quantity
1	1
2	1
3	1
4	1
5	1
6	1
7	3
8	3
9	1
10	1
11	2
12	2
13	2
14	2
15	5
16	17
17	2
18	2
19	5
20	12
21	8
22	8

No.	Quantity
23	10
24	4
25	6
26	3
27	3
28	1
29	1
30	1
31	1
32	1
33	2
34	1
35	1
36	1

SCOPE OF DELIVERY



ASSEMBLY STEPS

SAFETY NOTICE



- Despite careful processing of all individual parts, individual components can have sharp edges. Therefore, please wear safety gloves, to avoid getting cut.
- Risk of death by suffocation/swallowing. Keep the packaging materials out of the reach of children and dispose of it immediately. Also keep small parts out of their reach.

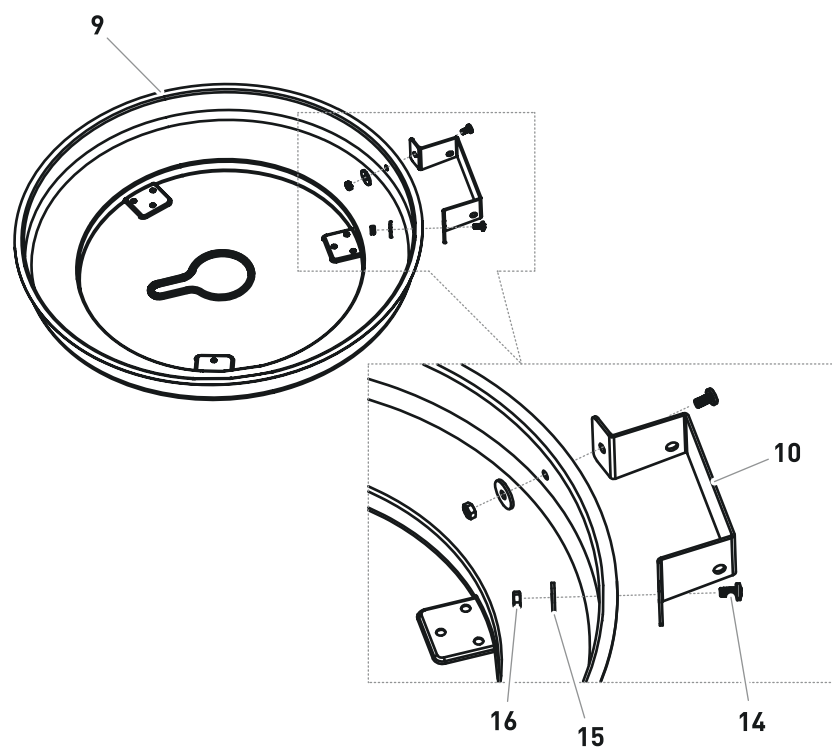
REQUIRED TOOLS/AUXILIARY MATERIALS


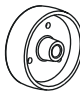

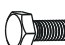




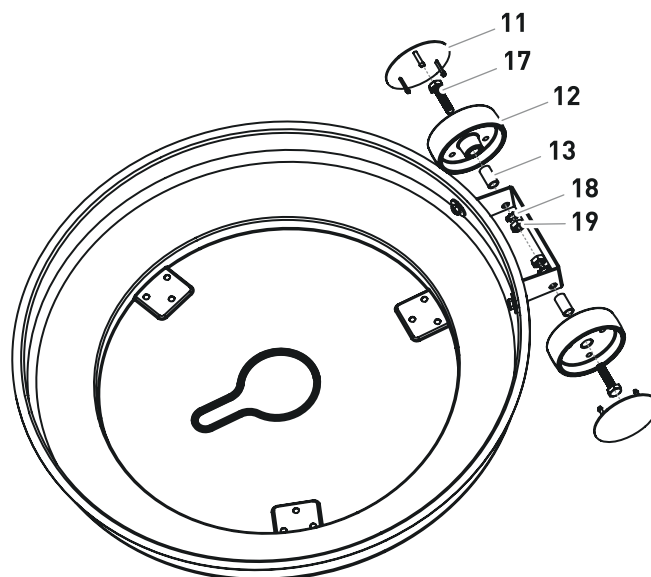
ASSEMBLY PROCESS




01


No.	Quantity
9	1
10	1
14	2
15	2
16	2

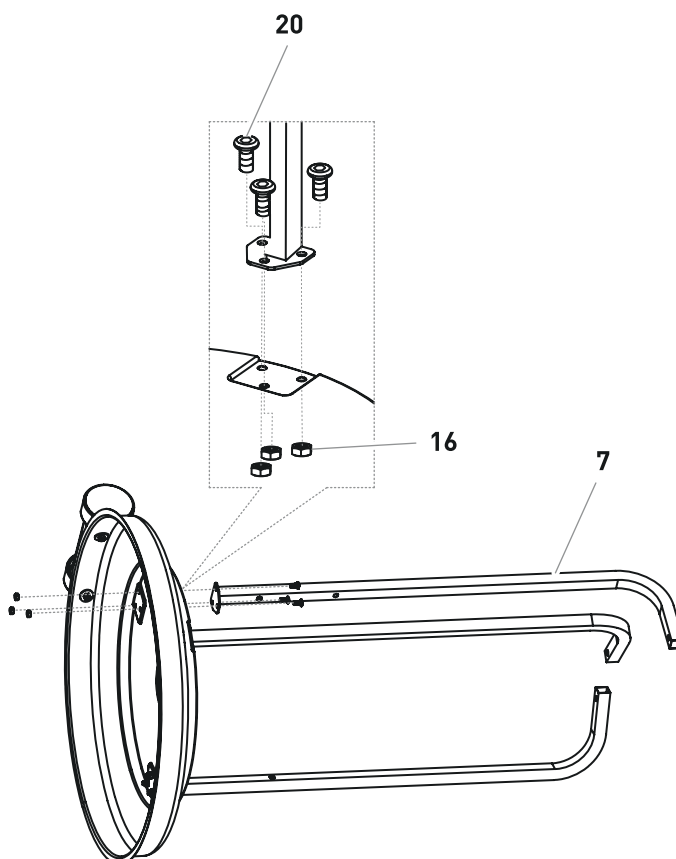


No.		Quantity
11		2
12		2
13		2
17	 M8 x 34	2
18	 Ø 8,3	2
19	 M8	2



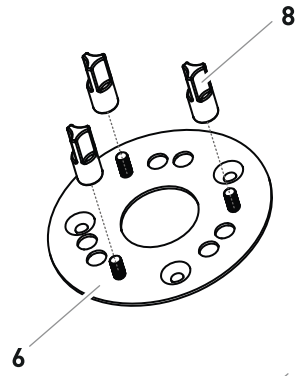
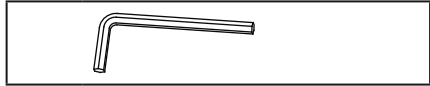
No.		Quantity
7		3
16	 M6	9
20	 M6 x 12	9



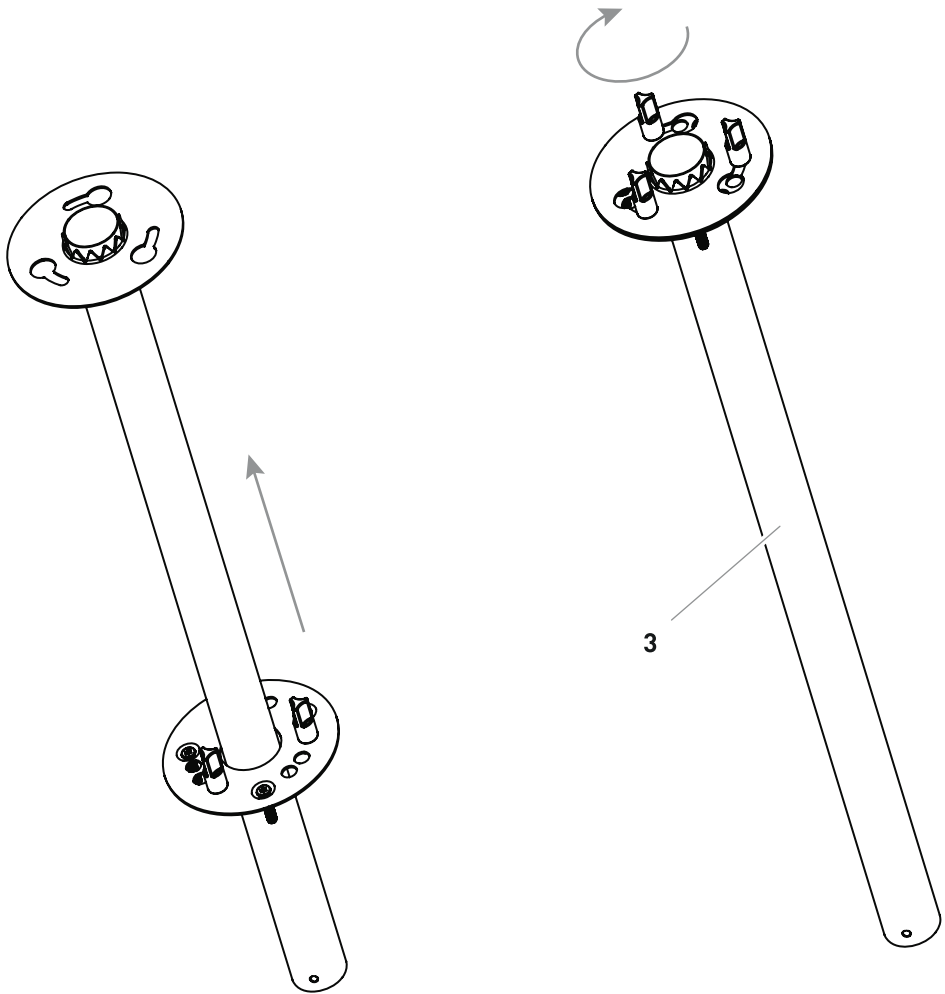
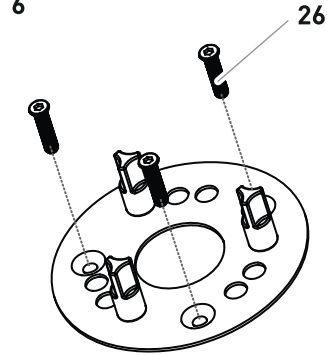


No.	Quantity
3	1
6	1
8	3

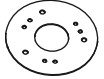
26	M8 x 35	3
----	---------	---



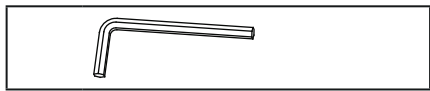
At this stage, please do not screw in the column fixation(8) completely, leave a 2-3mm gap.



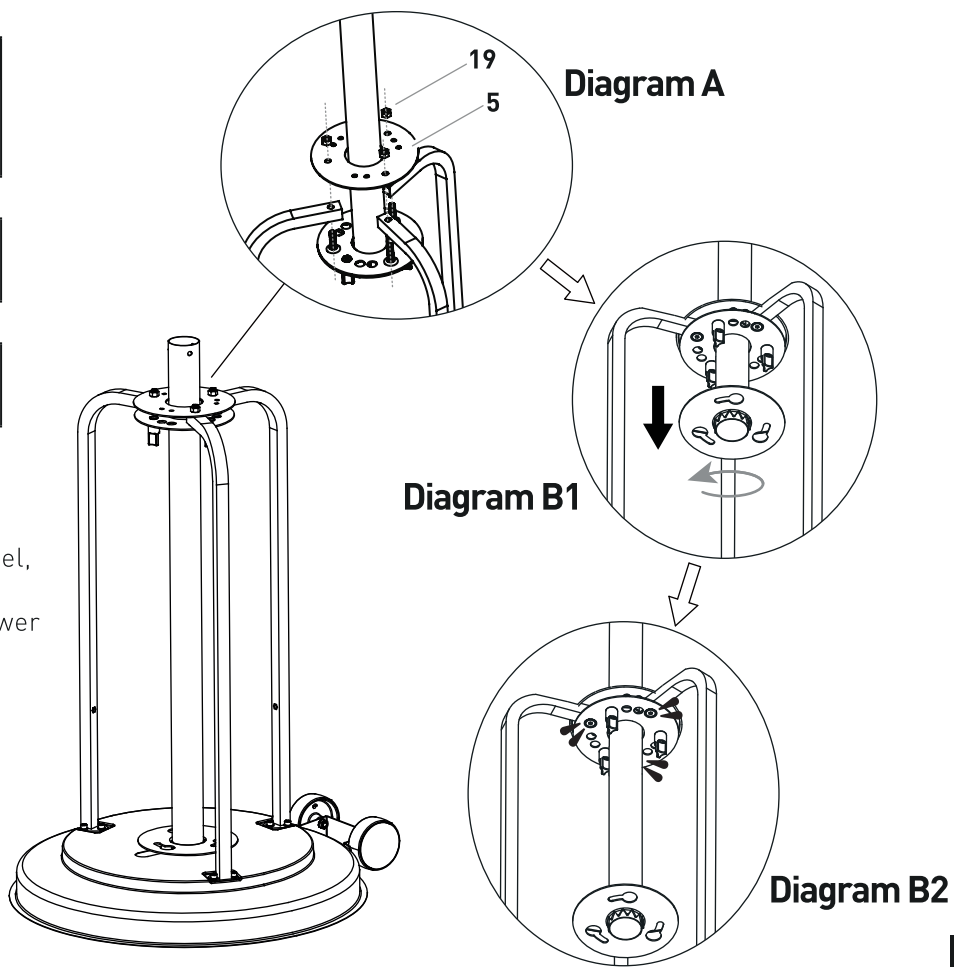
No.	Quantity
5	1



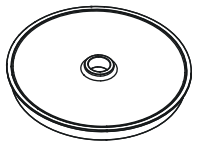
19	M8	3
----	----	---



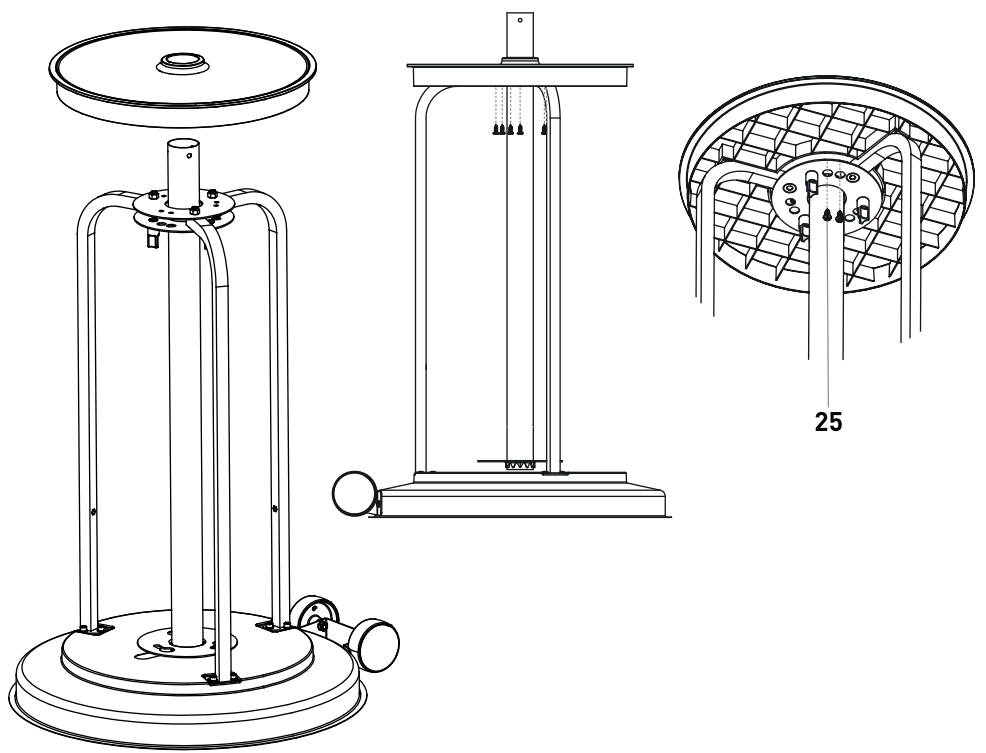
1. Spin the column stainless steel, line up the big holes with the 3 column fixation and then lower the column stainless steel as shown on diagram B1.
2. Tighten the 3x M8 nuts(19).

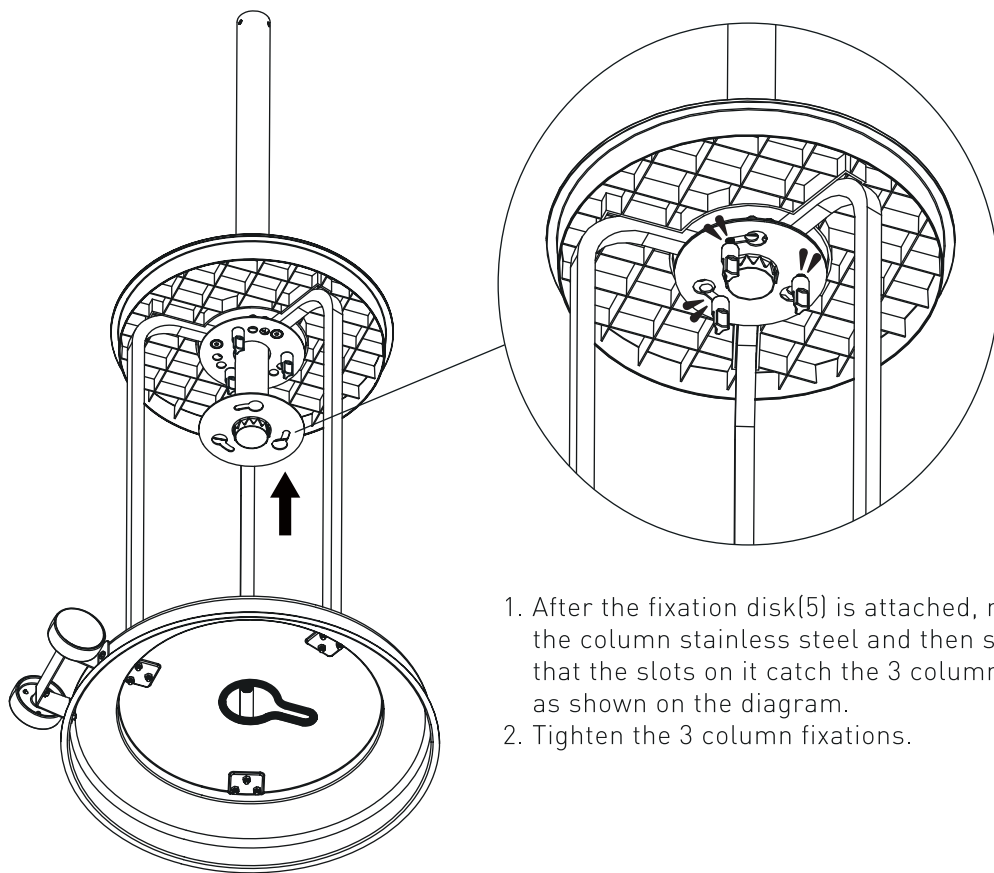


No.	Quantity
4	1



25	Ø 5,5 x 12	6
----	------------	---



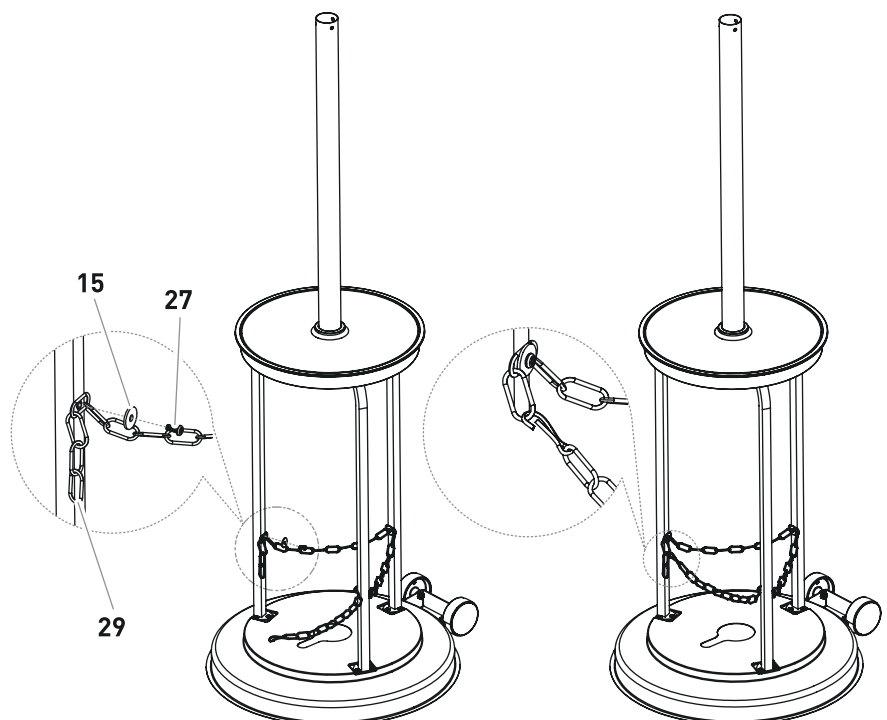


1. After the fixation disk(5) is attached, move up the column stainless steel and then spin it so that the slots on it catch the 3 column fixations as shown on the diagram.
2. Tighten the 3 column fixations.

No.	Quantity
29	1



15	 Ø 6,3	3
27	 M5 x 12	3

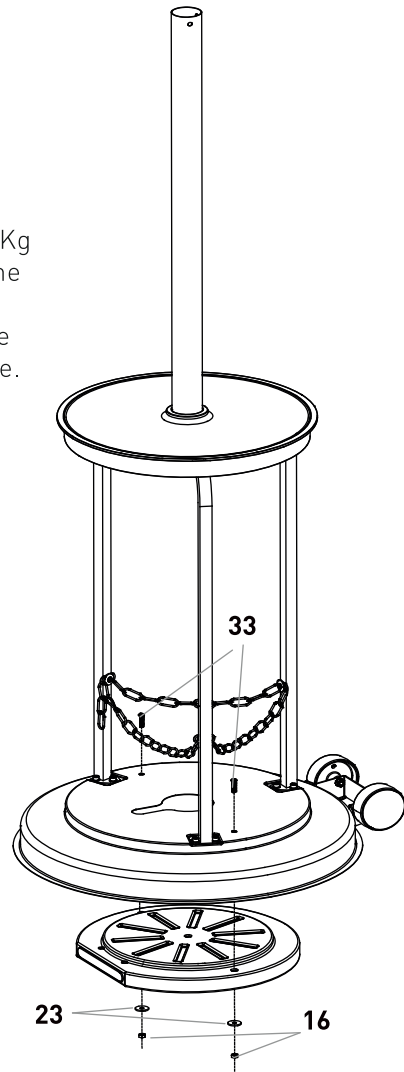
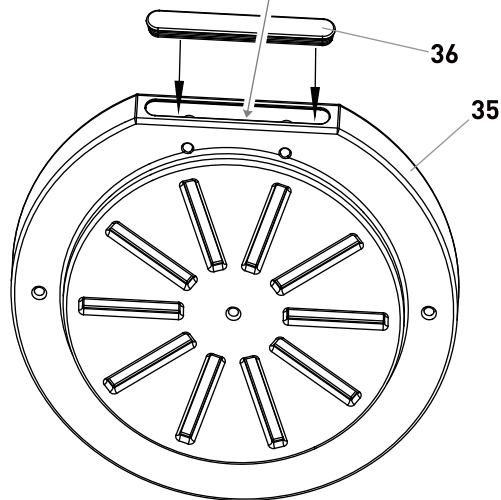


No.	Quantity
36	1
35	1
23	2
33	2
16	2

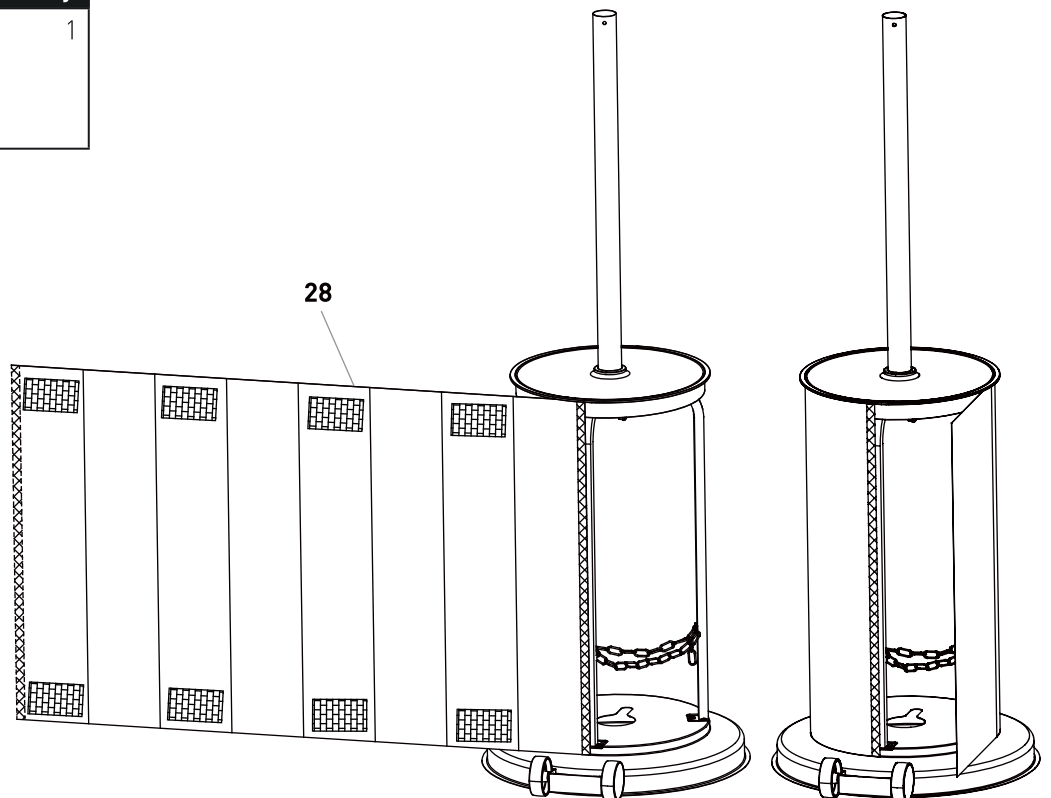


ATTENTION

■ Please put approximate 5Kg sand (not included) into the bottom weight before it is assembled to increase the stability of the heater base.

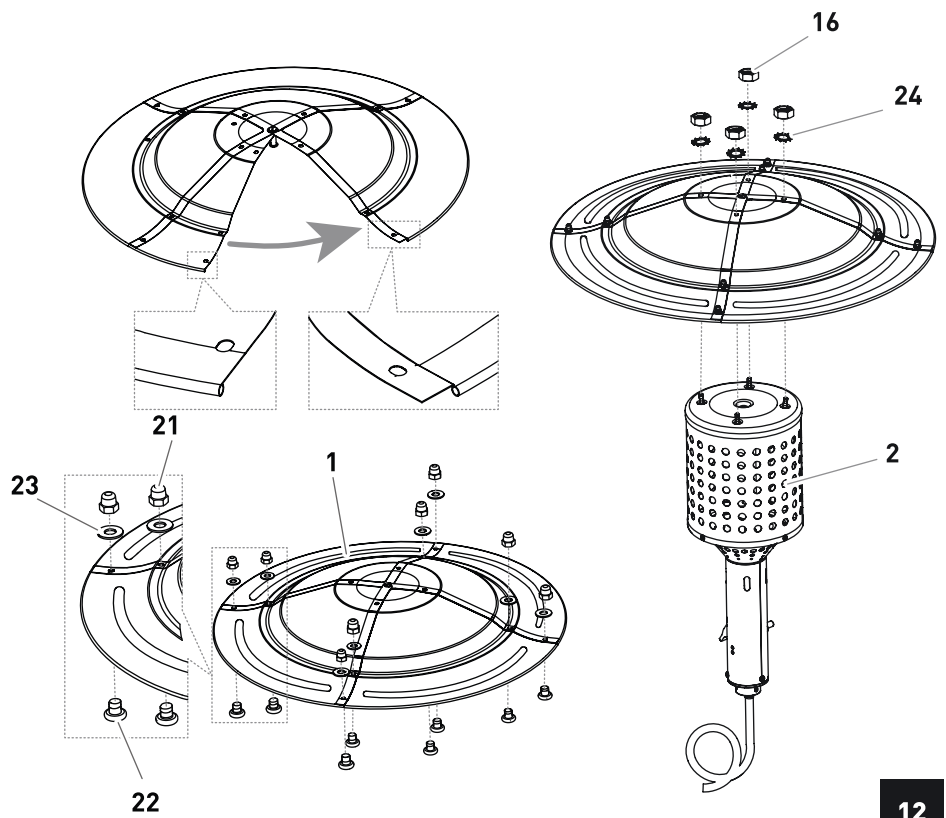


No.	Quantity
28	1

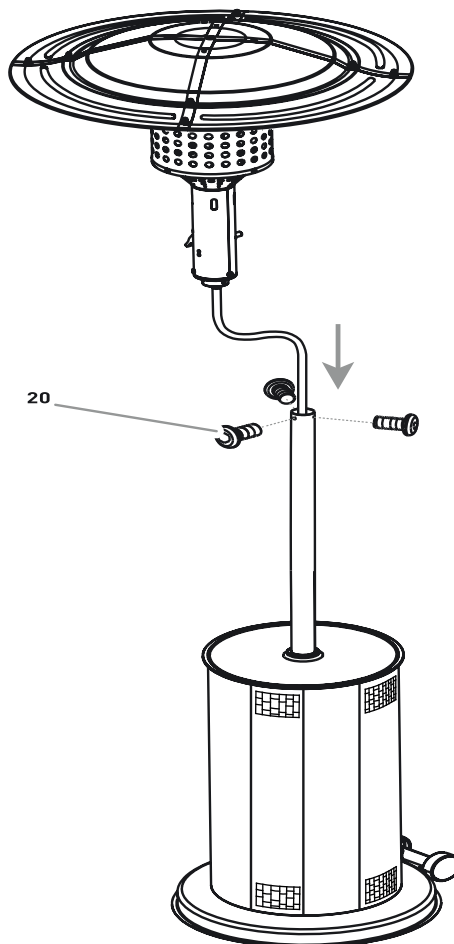
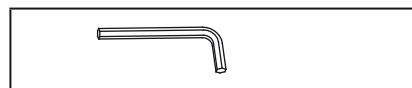


No.	Quantity
1	1
2	1
32	1

16	M6	4
21	M6	8
22	M6 x 8	8
23	Ø 6,4	8
24	Ø 6,4	4



No.	Quantity	
20	M6 x 12	3



CONNECTING THE GAS CYLINDER

SAFETY NOTICE



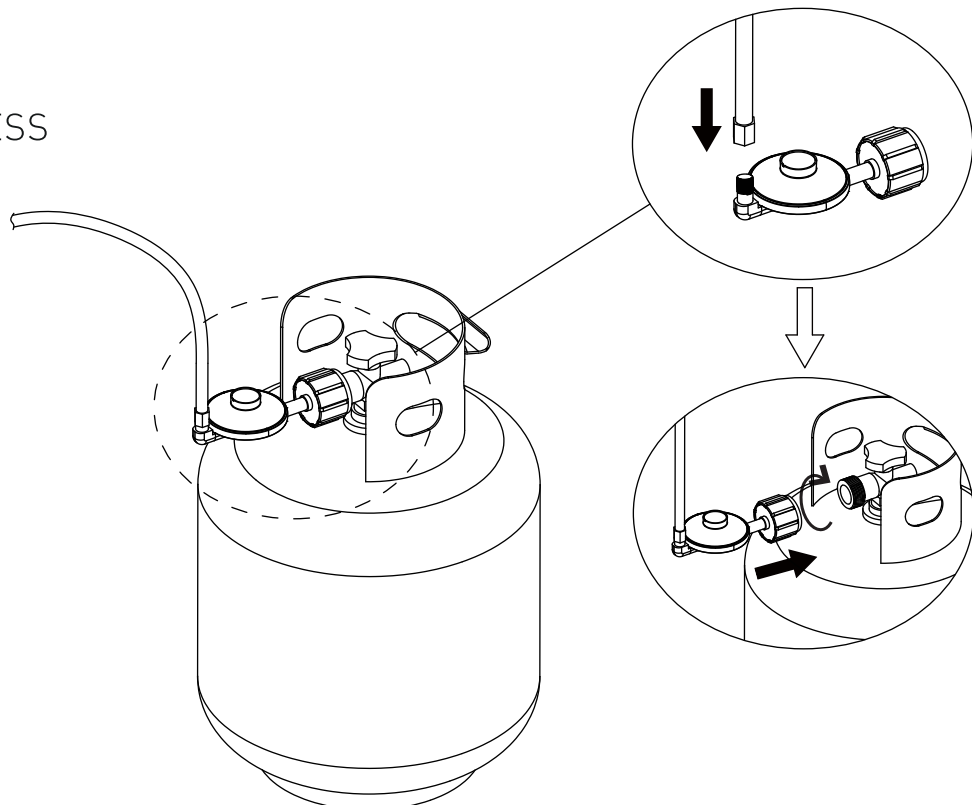
RISK OF FIRE AND EXPLOSION

- The appliance can only be operated with a pressure regulator. Also read and observe the assembly instructions and instructions for use, which are separately enclosed with the pressure regulator.
- The gas hose may have to be replaced if respective national regulations or the lifetime of the hose line require this.
- Gas hose and pressure regulator must be replaced at regular intervals. (For this, please refer to chapter Cleaning/Serviceing.)
- Get information at a specialist shop when purchasing or renting gas cylinders.
- Make sure that there are no sources of ignition, open fire or the like in the vicinity, when connecting or replacing the gas cylinder.
- Make sure that the gas hose does not have a kink in it or is chafed and that its entire length is accessible.
- After installing the gas cylinder, please check all connection points for leak tightness using a commercially available leak detection spray or soapy water. If there are no leaks, clean the connections with water after the inspection.
- Checking for leaks with an open flame is strictly prohibited!
- The appliance operates on a properly filled 9Kg gas cylinder.

REQUIRED TOOLS/AUXILIARY MATERIALS



ASSEMBLY PROCESS



ASSEMBLY PROCESS

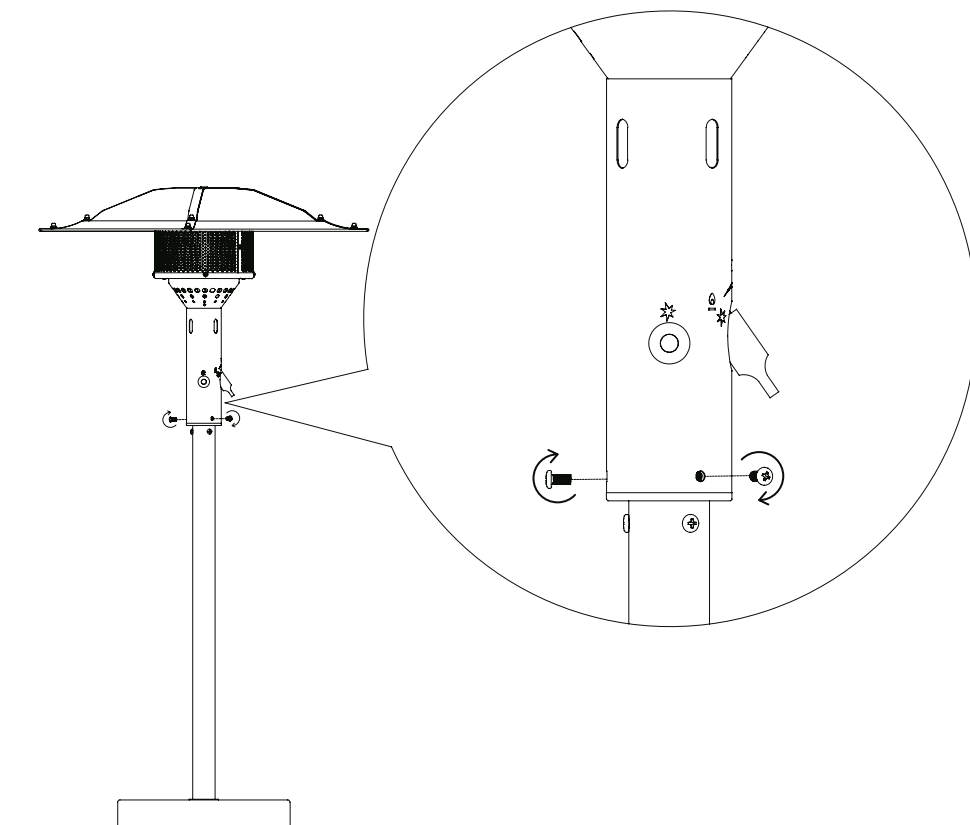


1. Place the gas cylinder into the patio heater.
2. **CONNECTING THE GAS CYLINDER:**
Attach the regulator hose to the regulator and then turn the connector (right-hand thread) of the pressure regulator onto the thread on the gas cylinder as shown on the diagram on page 13 of this instruction manual.
3. Spray all sealing points with standard leak detection spray or brush on soapy water (ratio 1 part soap/3 parts water). Open the valve on the gas cylinder. Bubbles will form wherever there are leaks. Close the valve on the gas cylinder and fix the leak. Then repeat this step until all leaks are fixed.

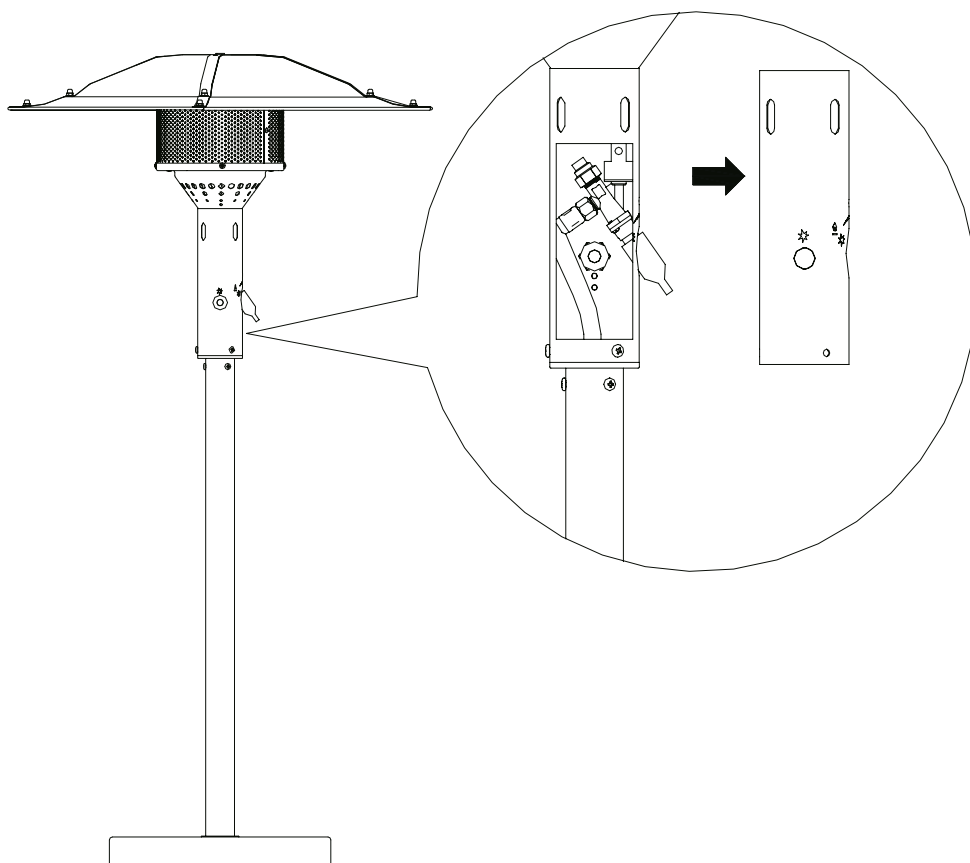
CHANGING GAS CONNECTION



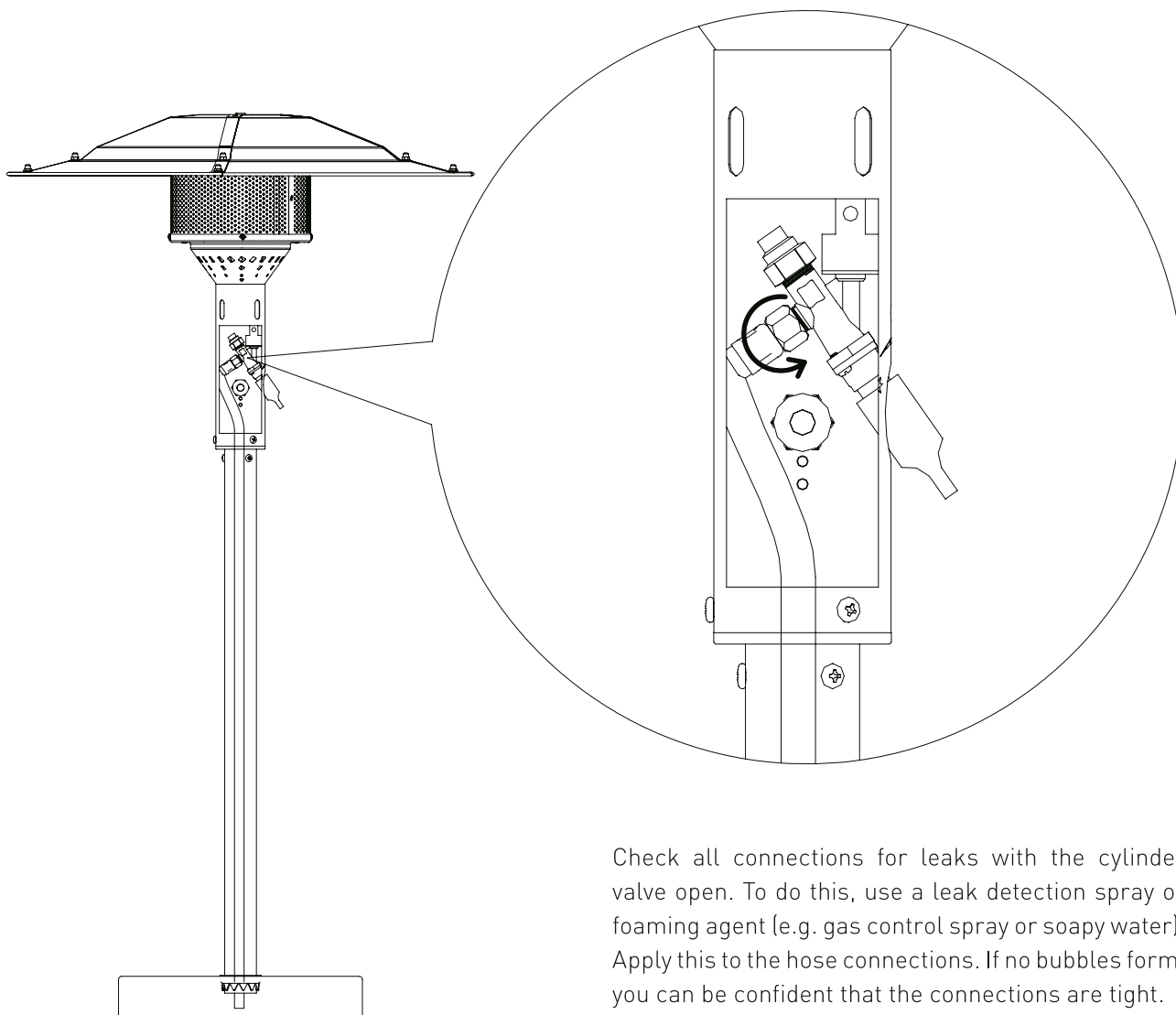
Remove the two screws at the top of the burner head.



Remove the clip.



Loosen the swivel nut on the gas hose by turning it clockwise and then replace the gas hose with a new one. Connect the swivel nut to the thread of the gas tap by turning it anticlockwise and then tighten it with a suitable wrench. After checking for leaks, reattach the clip.

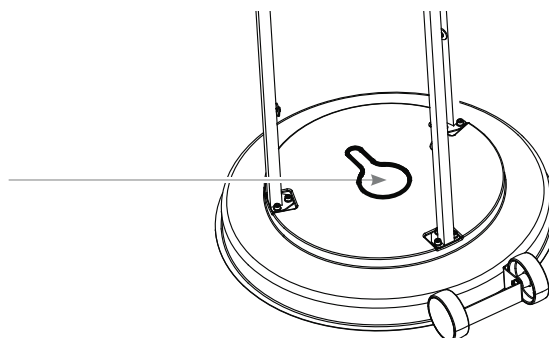


Check all connections for leaks with the cylinder valve open. To do this, use a leak detection spray or foaming agent (e.g. gas control spray or soapy water). Apply this to the hose connections. If no bubbles form, you can be confident that the connections are tight.



ATTENTION

When inserting the column, ensure that the tube is not stuck in the opening.



INSTALLATION

SAFE APPLIANCE LOCATIONS

This appliance shall only be used in an above ground open-air situation with natural ventilation, without stagnant areas, where gas leakage and products of combustion are rapidly dispersed by wind and natural convection.

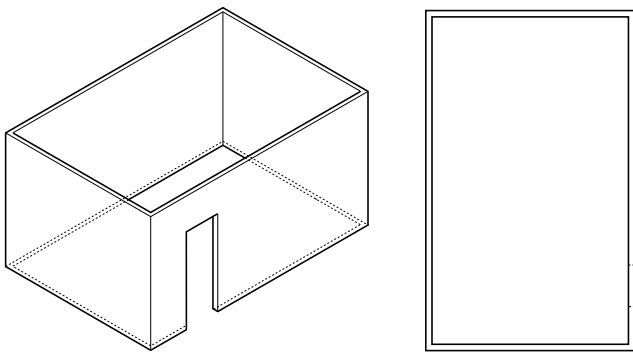
Any enclosure in which the appliance is used shall comply with the following:

An enclosure with walls on all sides, but at least one permanent opening at ground level and no overhead cover (see Example 1). Within a partial enclosure that includes an overhead cover and no more than two walls (see Example 2 & 3).

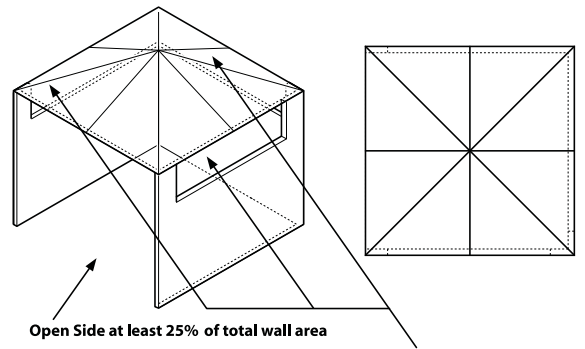
Within a partial enclosure that includes an overhead cover and more than two walls, the following will apply:

At least 25% of the total wall area is completely open, and at least 30% of the remaining wall area is open and unrestricted.

In the case of balconies, at least 20% of the total wall area shall be and remain open and unrestricted (see Example 4 & 5).

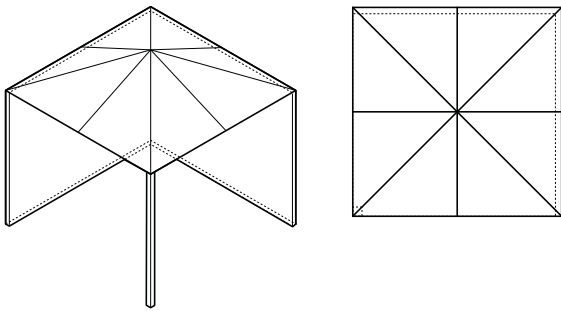


Outdoor Area - Example 1

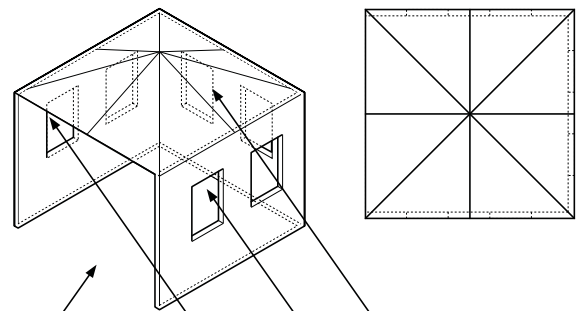


Open Side at least 25% of total wall area
30% or more in total of the remaining wall area is open and unrestricted

Outdoor Area - Example 4

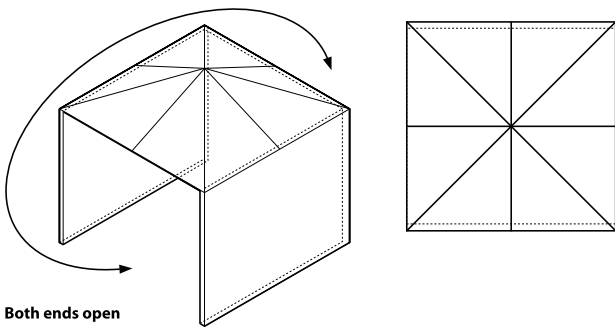


Outdoor Area - Example 2



Open Side at least 25% of total wall area
30% or more in total of the remaining wall area is open and unrestricted

Outdoor Area - Example 5

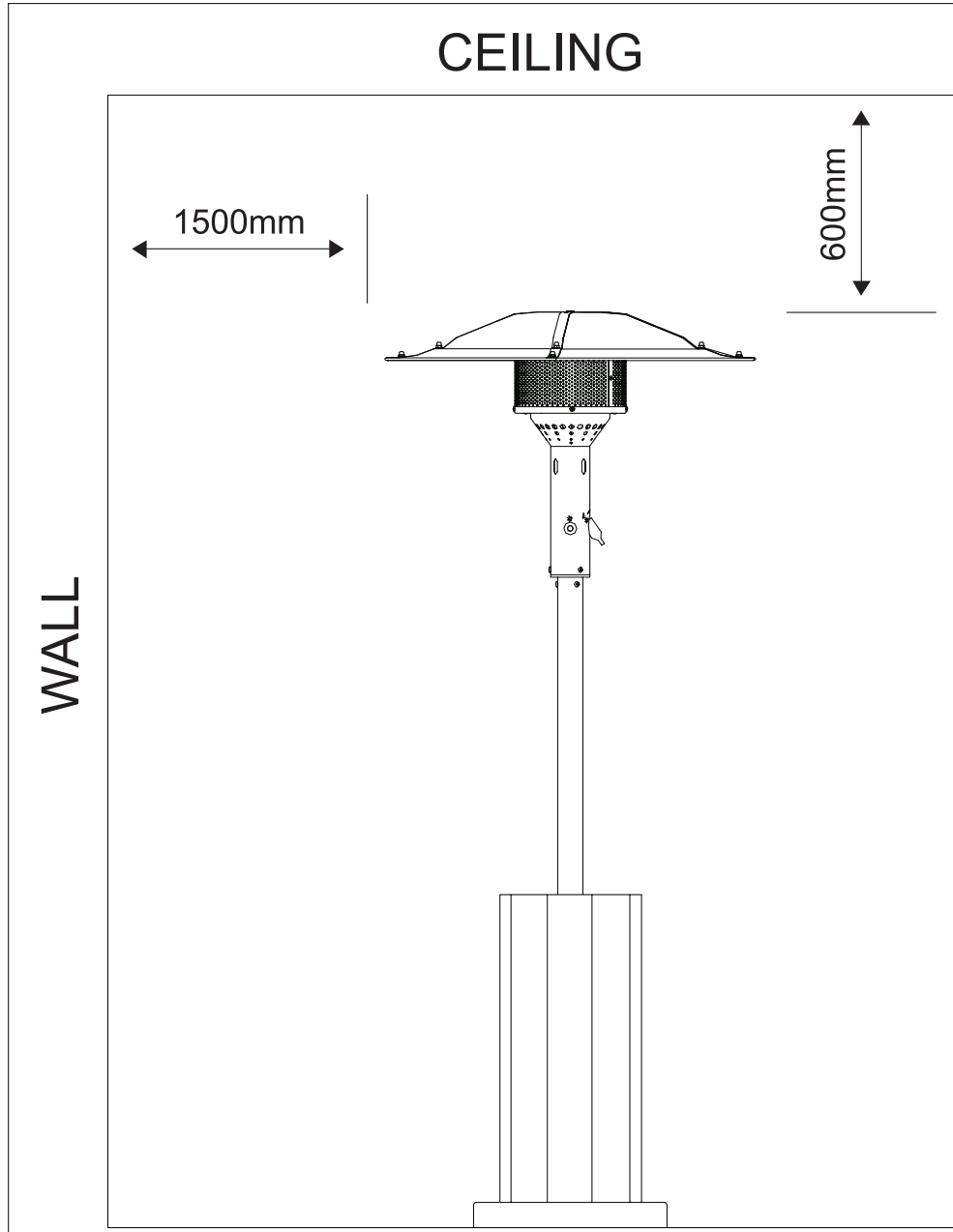


Both ends open

Outdoor Area - Example 3

Minimum Clearance from Combustible Material:

Side: 1500mm
Ceiling: 600mm
Rear: 1500mm



OPERATING

SAFETY NOTES



CAUTION

PLEASE READ CAREFULLY THE FOLLOWING SAFETY GUIDELINES BEFORE OPERATION.

- This patio heater is not for commercial use.
- Do not use the patio heater for indoors, as it may cause personal injury or property damage.
- Do not place articles on or against this appliance.
- Do not use or store flammable materials near this appliance.
- Do not spray aerosols in the vicinity of this appliance while it is in operation.
- This outdoor heater is not intended to be installed on recreational vehicles and/or boats.
- Repair should be done by a qualified service person.
- Improper installation, adjustment, alteration can cause personal injury or property damage.
- Do not modify this appliance.
- Never replace or substitute the regulator with any regulator other than the factory-suggested replacement.
- Do not store or use gasoline or other flammable vapors or liquids in the heater unit.
- The whole gas system, hose, regulator, pilot or burner should be inspected for leaks or damage before use, and at least annually by a qualified service person.
- All leak tests should be done with a soap solution. Never use an open flame to check for leaks.
- Do not use the heater until all connections have been leak tested.
- Turn off the gas valve immediately if smell of gas is detected.
- Do not transport heater while it's operating.
- Do not move the heater after it has been turned off until the temperature has cooled down.
- Keep the ventilation opening of the cylinder enclosure free and clear of debris.
- Do not paint the radiant screen, control panel or top canopy reflector.
- Control compartment, burner and circulation air passageways of the heater must be kept clean. More frequent cleaning may be required as necessary.
- The gas cylinder should be turned off when the heater is not in use.
- Check the heater immediately if any of the following occurs:
 - the heater does not reach temperature.
 - the burner makes popping noise during use (a slight noise is normal when the burner is extinguished).
 - smell of gas in conjunction with extreme yellow tipping of the burner flames.
- The regulator/hose assembly must be located out of pathways where people may trip over it or in area where the hose will not be subject to accidental damage.
- Any guard or other protective device removed for servicing the heater must be replaced before operating the heater.
- Adults and children should stay away from high temperature surface to avoid burns or clothing ignition.
- Children should be carefully supervised when they are in the area of the heater.
- Clothing or other flammable materials should not be hung on the heater or placed on or near the heater.
- Do not install or use this appliance indoors.
- If there is any evidence of excessive abrasion or wear, or if the hose assembly is damaged do not operate the appliance until a replacement hose assembly has been obtained from your authorized service provider. Ensure that the replacement hose assembly is as specified by the manufacturer.
- Due to radiant heat Certain materials or items may be seriously damaged if stored under or near this appliance while it is in operation.
- Remove any packaging/transit protection prior to operating this appliance.
- The guard is fitted to this appliance to reduce the risk of fire or injury from burns and no part of it should be permanently removed.
- For protection of young children or the infirm, a secondary guard is required.
- Inspect the hose assembly before each use of the appliance.
- Installation please refer to AS/NZS 5601 and the local authority for gas or electricity, etc.

TURNING ON



CAUTION: A small amount of deflagration may occur on the burner when igniting and when switching off the device. This does not constitute a fault with the device and is no cause for alarm. Always keep a sufficient distance from the burner.



NOTE: The device can also be ignited by other means of ignition (candle lighter, long match). Wear gloves and keep a safe distance from the burner! Caution, accessible parts can be extremely hot. Keep away from children.

1. Turn on the gas cylinder.
2. Press and turn the control knob to the "A" and at the same time continuously press the piezo-ignition button.
3. After successful ignition, keep the control knob pressed for another 20 seconds. This brings the burner up to the necessary operating temperature and active the thermocouple.
4. You can turn the control knob between "A" and "B" to adjust flame.
5. The rare case that the heater does not ignite after the piezo-ignition button has been pressed 4 or 5 times, repeat the procedure after 2 minutes.

TURNING OFF

1. To switch off the device, close the valve on gas cylinder.

MALFUNCTION AND REMEDY

PROBLEM: The patio heater does not ignite.

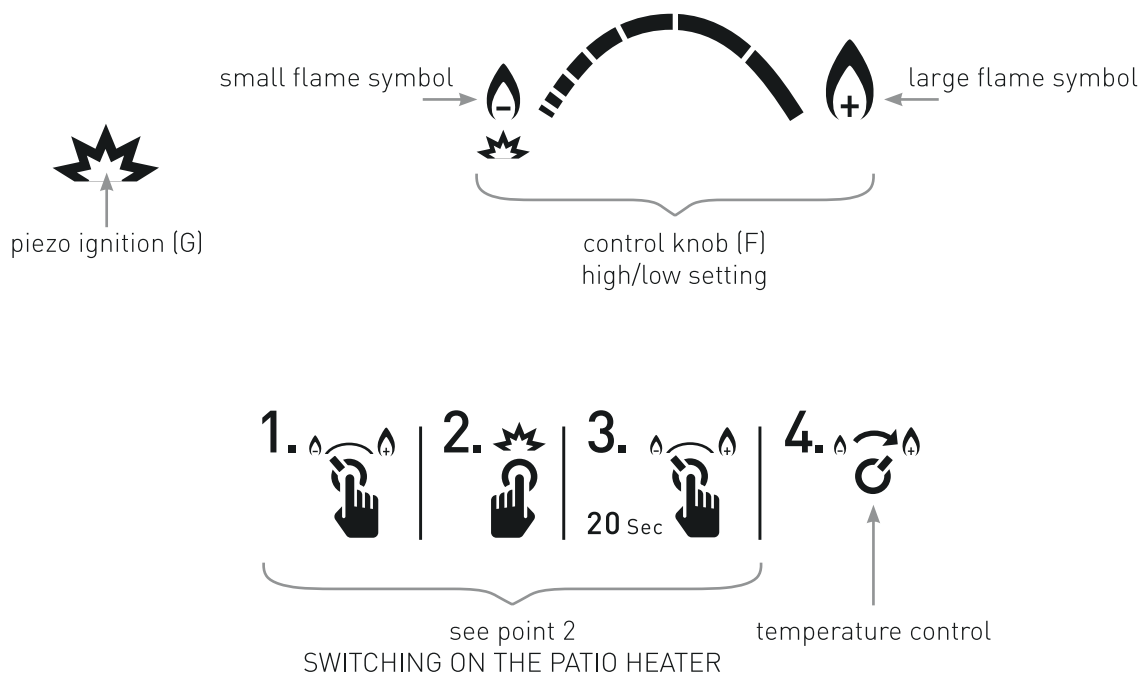
SOLUTION: The patio heater contains a tilt prevention device, making possible to encapsulate the gas feed can in a globe during transportation. In order to activate the gas feed, shake the burner head lightly to propel the globe back to its original position and ensure a proper supply of gas.

PROBLEM: There is a gas smell.

SOLUTION: Do not use the device if there is a gas leak. The gas supply must be shut off if this occurs during use. Check the device and replace damaged parts before using it again.



EXPLANATION OF SYMBOLS ON PATIO HEATER



FIRST AID MEASURES



FIREFIGHTING MEASURES

- Bring bystanders to safety! If possible, close the valve on the gas cylinder. Cool off the gas cylinder with water. When doing so, pay attention to your own safety! A repeated spontaneous, explosive combustion is possible.
- In case of fire, filled compressed-gas cylinders should be removed from the flammable surroundings. If this is not possible, the compressed-gas cylinders should be protected against too intensive heat by spraying them with water or similar suitable means from a protected location.

MEASURES AFTER INHALING GAS

- High concentrations can cause suffocation. Symptoms can be the loss of the ability to move and consciousness. The victim is not aware of being suffocated. In low concentrations dizziness, headaches, nausea and problems with coordination can arise.
- Bring the victim to a location where he/she can breath fresh air. Call a physician or the emergency services. Conduct first aid measures in the event of respiratory arrest.

MEASURES AFTER SEVERE BURNING OR SCALDING

- There is an acute risk of hypothermia and shock. Call emergency services immediately!
- Immediately extinguish possible burning clothing with water or put out the flames using a thick blanket.
- In the case of scalding: Immediately remove clothing.
- In the case of burns: Leave clothing on the body.
- Cool with cold water for at least 15 minutes until the pain subsides.
- Cover the respective area with a sterile Metalline compress. Place the side coated

with Metalline on the injured skin and loosely fixate with a gauze bandage and a cravat.

- Do not use any "household remedies" such as ointments, powder, oils, disinfectants, etc.!

MEASURES AFTER MINOR BURNS OR SCALDING

- In the case of scalding: Immediately remove clothing.
- In the case of burns: Only remove clothing if it does not stick.
- Cool with cold water for at least 15 minutes until the pain subsides.
- Allow minor burns or scalding without blistering to heal with the help of fresh air; do not cover with a plaster or any other dressing.

CLEANING/SERVICING

SAFETY NOTICE



- Despite careful processing of all individual parts, individual components can have sharp edges. Therefore, please wear safety gloves, to avoid getting cut.
- Hot surface: Do not clean the patio heater until it has sufficiently cooled off.

RISK OF FIRE AND EXPLOSION

- Do not use any flammable cleaning agents.

- **Handling the gas installation/patio heater:**
Repairs and servicing of the gas-conveying parts can only be conducted by specialists authorized to do so.

- Do not make any modifications to the pressure regulator. The hose must be serviced after 5 years (refer to the date of manufacturer on the hose).
- Replace the pressure regulator and the hose after 10 years at the latest; even if no external damage can be detected. Make sure that the pressure regulator is approved for your country and the gas used and that it is adjusted to the correct output pressure (refer to Technical Specifications) . A new hose cannot be longer than 1.5 m.
- All components, which were sealed by the manufacturer or its representative, cannot be manipulated or modified.
- Together with oil, the gas forms an explosive mixture. Never try to loosen tight valves or regulator knobs with oil or penetrating oil.
- The hose assembly is to be replaced prior to the appliance being used if there is evidence of damage. (such as excessive abrasion or wear)
- Any replacement hose assembly is to be as specified by the manufacturer.



- Do not use any aggressive cleaning agents or those containing chlorine.
- Wipe the soiled surface with a damp cloth or rinse with hot water. If necessary, use a mild detergent. Rinse with water and wipe the entire surface with a microfiber cloth.
- When using a mild cleaning agent, the manufacturer's instructions / product information should be observed in order to avoid surface damage.
- Allow the device to dry completely before using it again.

STORAGE/TRANSPORT

SAFETY NOTICE



RISK OF FIRE AND EXPLOSION

- Store the gas cylinder out of the reach of children.
- Keep the gas cylinder away from flammable gases and other oxidizing substances.
- Escaping liquefied gas is heavier than air and sinks to the ground. Do not store the gas cylinder in the house, under ground level (e.g. basements, wells, underground car parks, etc.) or in non-ventilated spaces, in which escaping gas could accumulate.
- Protect the gas cylinder against direct sunlight and other heat sources.
- Store the gas cylinder at temperatures under 40°C in a well ventilated space and where it is protected against the influences of weather.
- Store the gas cylinder in an upright position and ensure it cannot topple over.
- These storage instructions also apply to empty gas cylinders because these always contain a residual amount of liquefied gas.
- If possible, do not transport the gas cylinder in vehicles, in which the cargo bay/boot is not separated from the driver's cab. The driver must be aware of the possible risks of the load and he/she must know what to do in case of an accident or emergency.
- Transport the gas cylinder in an upright position and ensure it cannot topple over or slip/shift.
- Make sure the valve on the gas cylinder is closed and leakproof.
- Ask your gas retailer about effective national requirements and information.
- There is no limitation on the storage of appliances indoors provided that the cylinder is removed from the appliance.
- Storage of an appliance indoors with the cylinder attached is only permitted if the size of the cylinder complies with AS/NZS 1596: otherwise cylinders are required to be stored outdoors in a well-ventilated area.



- Store the appliance in a dry room free of frost. Cover the appliance to prevent soiling and damages.

DISPOSAL



The product packaging is made of recyclable materials, which can be used for recycling. Dispose of this packaging correctly sorted in the collection bins provided.



If you want to dispose of the product, do not do so with household waste. Ask your local waste management company or your municipal administration about the possibilities of an environmentally-friendly disposal, which preserves resources.

TECHNICAL SPECIFICATIONS

MODEL: FANCY / BUN-575-AA.22

Item No.: 0409679

Total Input: 28 Mj/h

Type of gas: ULPG

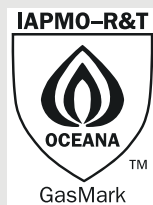
Injector size: 1.45mm

Pressure.: 2.75kPa

Vers. no.: 221205

This appliance has been tested and approved in accordance with Australian standard AS/NZS 5263.1.4

Gas Cylinder: 9Kg



WARRANTY

Thank you for purchasing one of our quality Patio Heaters.

YOUR PATIO HEATER IS COVERED AGAINST DEFECTS FOR A PERIOD OF 2 YEARS FOR PARTS AND LABOUR, REPAIR OR REPLACEMENT. THIS WARRANTY EXCLUDES SURFACE RUST AND DAMAGE CAUSED BY ABUSE OR NEGLIGENCE.

CONDITIONS OF THE WARRANTY

- The appliance must be operated and maintained in accordance with the instructions supplied in the operating manual.
- Any repair does not extend the warranty period.
- Any parts other than original parts will void this warranty.

Installation Conditions

- All installations must conform to the applicable Gas, Electrical and Building standards as laid down by the local codes for state or region.
- If the appliance is changed to natural gas (if applicable), it must be converted and installed by a licensed gas fitter.

FOR WARRANTY CLAIMS

Adeval Group Pty Ltd
276 Proximity Drive, Sunshine West,
Victoria 3020, Australia
Garth support website: www.garthsupport.com
T: 1800 427 841
E: info@garth.com.au

The warranty for New Zealand is given by
Bunnings NZ Ltd
PO Box 14436,
Panmure, Auckland, 1741
NEW ZEALAND

Tel: 09 -9782200
Fax: 09-9782222
Email: marketing@bunnings.co.nz

Any claim under this warranty must be made within 5 years of the date of purchase of the product.

Proof of purchase must be presented.

For Australian Customers

To make a claim under the warranty please contact Garth support website: www.garthsupport.com or return the product (with proof of purchase) to any Bunnings store. (see: www.bunnings.com.au for store locations)

Garth Australia bears reasonable, direct expenses of claiming under the warranty.

The warranty covers manufacturer defects in materials, workmanship and finish under normal use.

This warranty is provided in addition to other rights and remedies you may have under law: our goods come with guarantees which cannot be excluded under the Australian Consumer Law. You are entitled to replacement or refund for a major failure and to compensation for other reasonably foreseeable loss or damage. You are also entitled to have the goods repaired or replaced if the goods fail to be of acceptable quality and the failure does not amount to a major failure.

The warranty excludes damage resulting from product misuse or product neglect. The warranty covers domestic use only and does not apply to commercial applications.

For New Zealand Customers

To make a claim under the warranty, take the product (with proof of purchase) to any Bunnings store (see www.bunnings.co.nz for store locations).

Bunnings NZ Ltd bears reasonable, direct expenses of claiming under the warranty. You may submit details and proof to our store for consideration.

The warranty covers manufacturer defects in material, workmanship and finish under normal use.

The warranty is provided in addition to other rights and remedies you may have under law: our goods come with guarantees which cannot be excluded under the Consumer Guarantees Act 1993 (NZ). You are entitled to replacement or refund for a major failure and to compensation for other reasonably foreseeable loss or damage. You are also entitled to have the goods repaired or replaced if the goods fail to be of acceptable quality and the failure does not amount to a major failure.

The warranty excludes damage resulting from product misuse or product neglect. The warranty covers domestic use only and does not apply to commercial applications.

Goods presented for repair may be replaced by refurbished goods of the same type rather than being repaired. Refurbished parts may be used to repair the goods.

WARRANTY

WHAT IS NOT COVERED IN THE WARRANTY

- Removal or re-installation costs. This warranty does not cover costs for transit, nor in home service.
- Liability will only be accepted for loss or damage during transit if at the time the product was being transported by Bunnings or a Bunnings approved contractor.
- Lack of maintenance, abuse, neglect, misuse, accidental or improper installation of this appliance.
- Scratches, dents, corrosion or discoloration caused by heat, abrasive chemical cleaners or chipping of porcelain enamel parts.
- Corrosion or damage caused by exposure to the elements such as insects, weather, hail or grease and fat fires.
- Cleaning and wear and tear; service calls of this nature are chargeable.
- Commercial use of the product.
- Unauthorized repairs or modifications during the warranty period.
- Glass breakage due to misuse or overheating
- Consumable items, example - batteries.

RECORD THE FOLLOWING INFORMATION

Attach the copy of the purchase receipt here:

Date of Purchase

Purchased From.....

Location.....

Model Name and Number

Serial Number.....

Receipt Number

Note: The serial number is located either on the outside of the packing carton or outside or inside the appliance.

FOR TECHNICAL ASSISTANCE

For Australia customers if you experience any technical issues with your Patio Heater, in the first instance review the instruction manual or contact the warranty service agent below.

For New Zealand customers if you experience any technical issues with your Patio Heater, in the first instance review the instruction manual or contact your local Bunnings warehouse.

FOR SPARE PARTS

Call your local Bunnings warehouse and ask them to order a part for you. You should provide the following information.

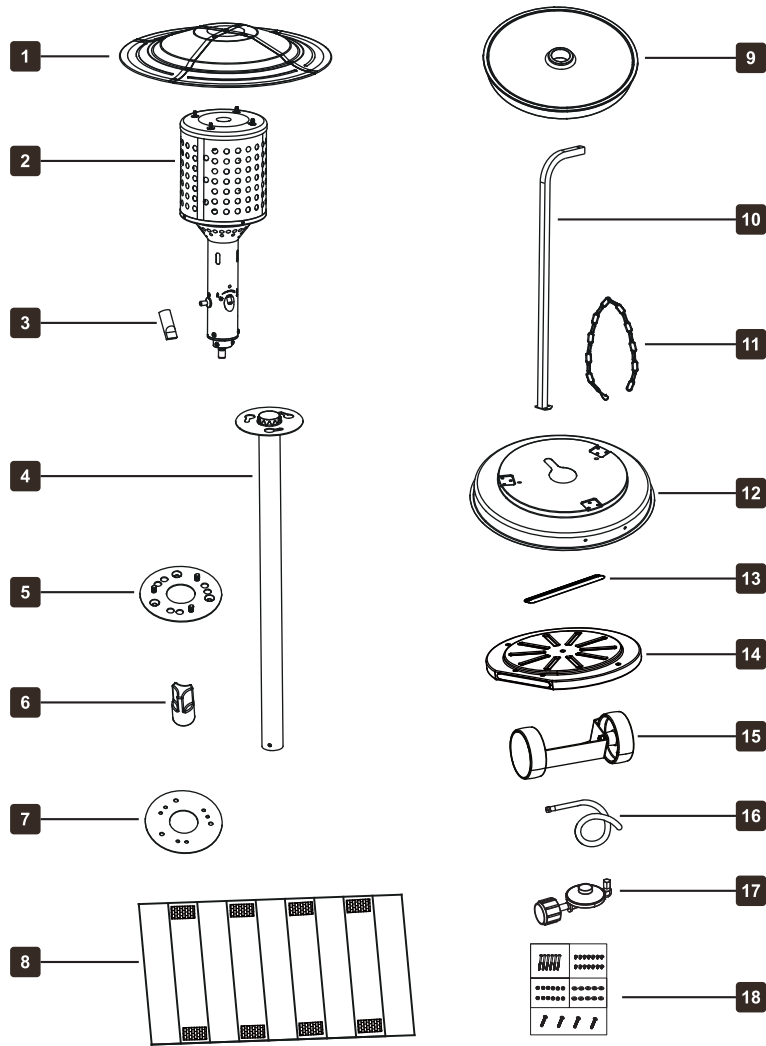
Model

Year of purchase

Name of warranty service company above

Part that requires replacement (refer to the list of spare parts in the instruction manual)

SPARE PARTS



PART NUMBER	PART NAME	SUPPLIER CODE
1	Reflector	140004049
2	Burner head	140004046
3	Knob	140002014
4	Column stainless steel	140004050
5	Fixation disk for the holder of container	140004053
6	Column fixation	140004055
7	Fixation disk	140004052
8	Housing	140004047
9	Table	140004051
10	Holder	140004054
11	Chain	140004059
12	Base black coated	140004056
13	Decoration panel bottom weight	140004061
14	Bottom weight	140004060
15	Wheel set	140004057
16	Regulator hose	RC013027-B-1
17	Regulator	RC013027-B-2
18	Screw set	140004058

MANUFACTURER

Enders Colsman AG

Brauck 1

D-58791 Werdohl, Deutschland, Allemagne, Germania, Germany, Duitsland

+ 49 (0) 2392-9782 30

www.enders-germany.com
