

Garth Code :BUN-595-AA.23

Customer Item ID : 0429365

APN : 91133341710246371

BBQ Name on Carton : Pulsar Electric BBQ With Cabinet

BBQ Name on Fascia :

Component Breakdown

Code	Description	Box Length	Box Width	Box Height	Net Weight	Gross Weight
BUN-595-AA.23	Electra Indoor/Outdoor Electric Grill	620mm	577mm	440mm	22KG	25KG

Assembled Dimensions

Overall Length	Overall Width	Overall Height	Overall Weight
982mm	473mm	991mm	25KG

Miscellaneous Information

Cooking Area	410 x 337 mm
Total Heat Input	2000 W
Supply Pressure	N/A
Gas Type	N/A
NG Conversion	N/A
BBQ cover	NO

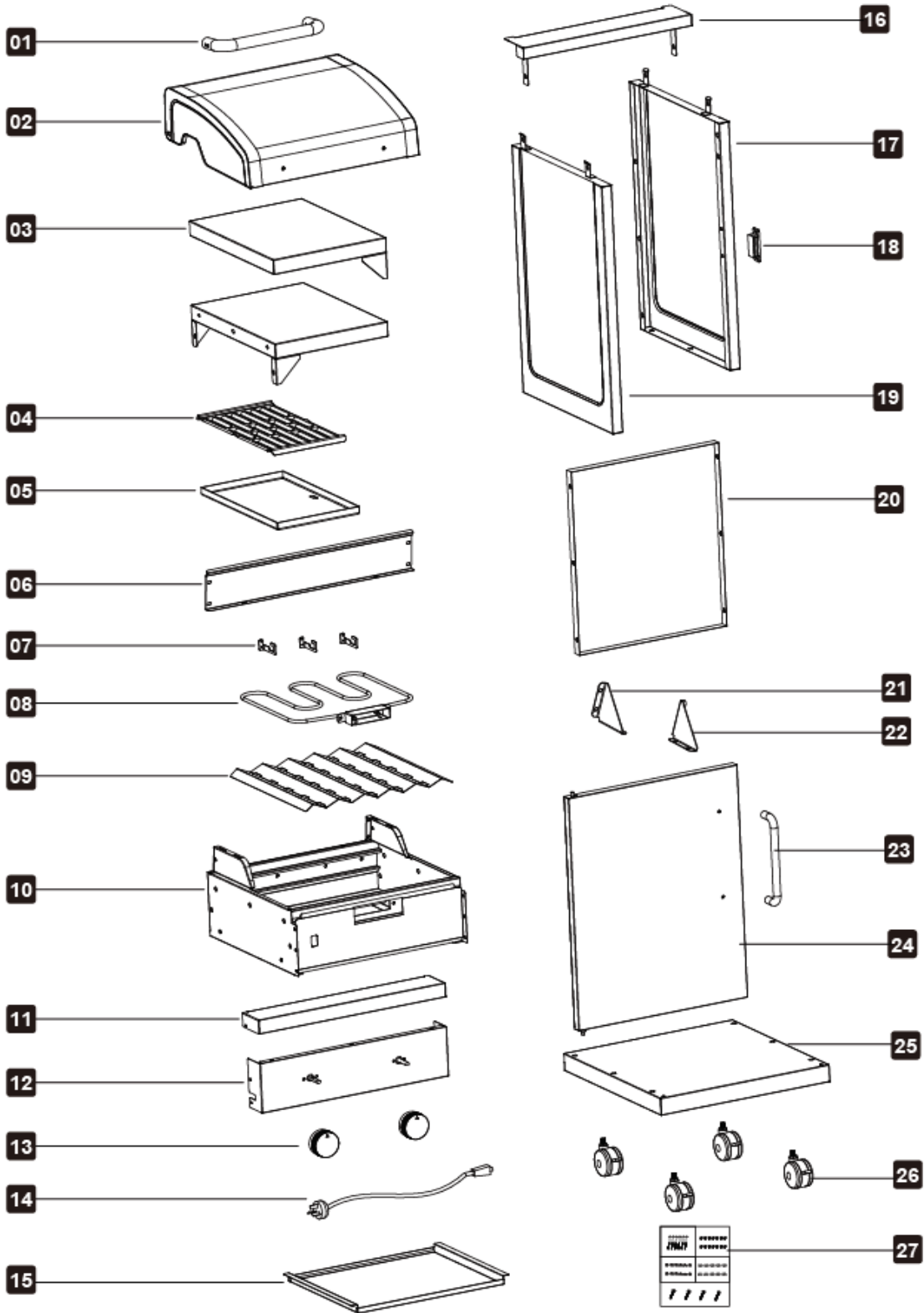


Position of Data Plate : On cabinet left side panel

Features

1. cast iron hotplate and pressed grill
2. Roasting hood
3. Castors x4

BUN-595-AA.23



PART NUMBER	PART NAME	SUPPLIER CODE
1	Hood handle	E1HD0-01101-08080-076
2	Hood outer	E1HD0-02301-10060-009
3	Left / Right side shelf	E1TR0-00101-04080-009
4	Stainless steel grill	E1BQ0-00301-33080-080
5	Hotplate	E1BQ0-00201-04200-011
6	BBQ frame back panel	E1BQ0-03701-04060-009
7	Heating wire support plate	E1EG0-00801-10200-080
8	Electric heating wire	E1EG0-00901-08000-080
9	Thermal reflection plate	E1EG0-01001-10080-080
10	BBQ frame	E1BQ0-02801-04060-009
11	BBQ front decoration part	E1BQ0-02201-10060-080
12	Fascia	E1BQ0-02301-10060-080
13	Control knob	E1BQ0-02601-13000-082
14	power cord	E1EG0-01401-32000-080
15	Fat tray panel	E1BQ0-02001-05040-080
16	Cabinet front cross bar	E1TR0-01501-10060-080
17	Cabinet right side panel	E1TR0-01801-04060-009
18	Door magnet	E1TR0-20201-13000-080
19	Cabinet left side panel	E1TR0-01701-04060-009
20	Cabinet back panel	E1TR0-01601-04060-009
21	Left bracket	E1TR0-02001-04100-009
22	Right bracket	E1TR0-02101-04100-009
23	Door handle	E1TR0-04601--08080-076
24	Cabinet door	E1TR0-14801-04060-009
25	Cabinet bottom panel	E1TR0-01901-04060-009
26	Castors	E1TR0-05501-13000-080
27	Bolt Pack	BP-BUN-595