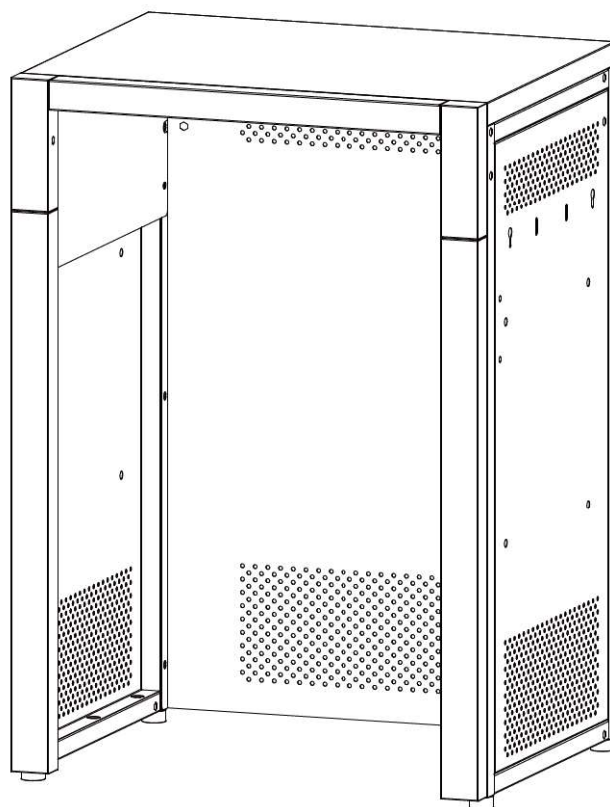


# GRILLED

2000632 (M10-048-000-AA.23)

## Buffalo Kitchen Fridge Unit

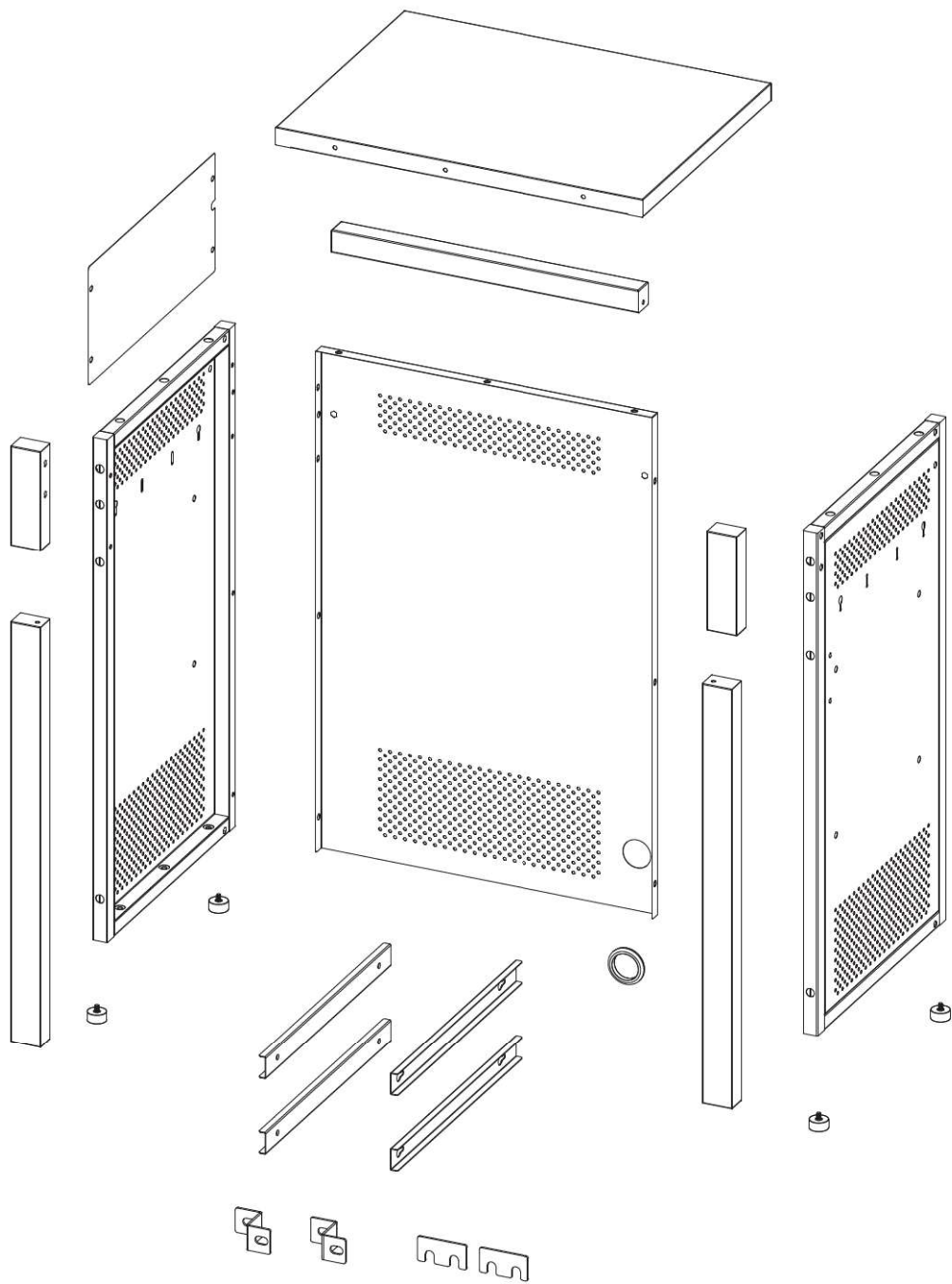



GB IE

**INSTRUCTION MANUAL**


**READ THE INSTRUCTIONS BEFORE USING THE APPLIANCE**

# PARTS DIAGRAM



 24: M6x14

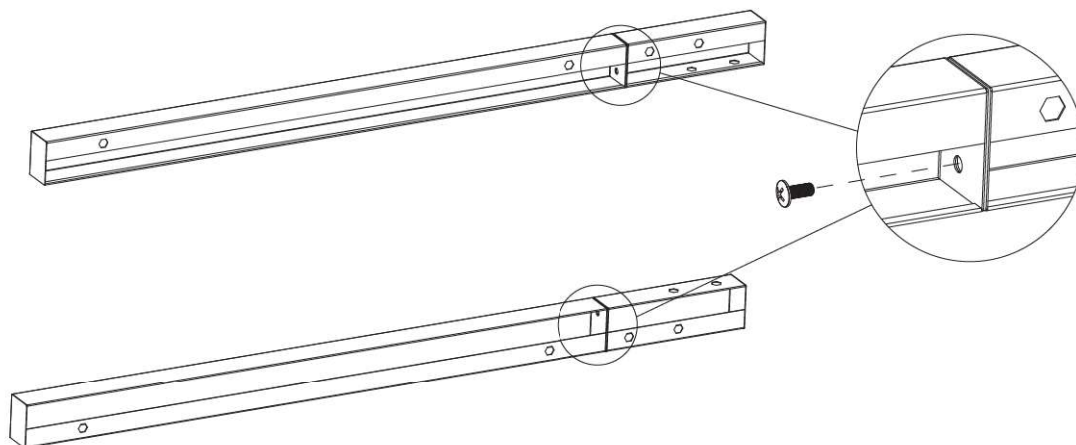
 12: M6x35

 4: M5x10

# ASSEMBLY INSTRUCTIONS

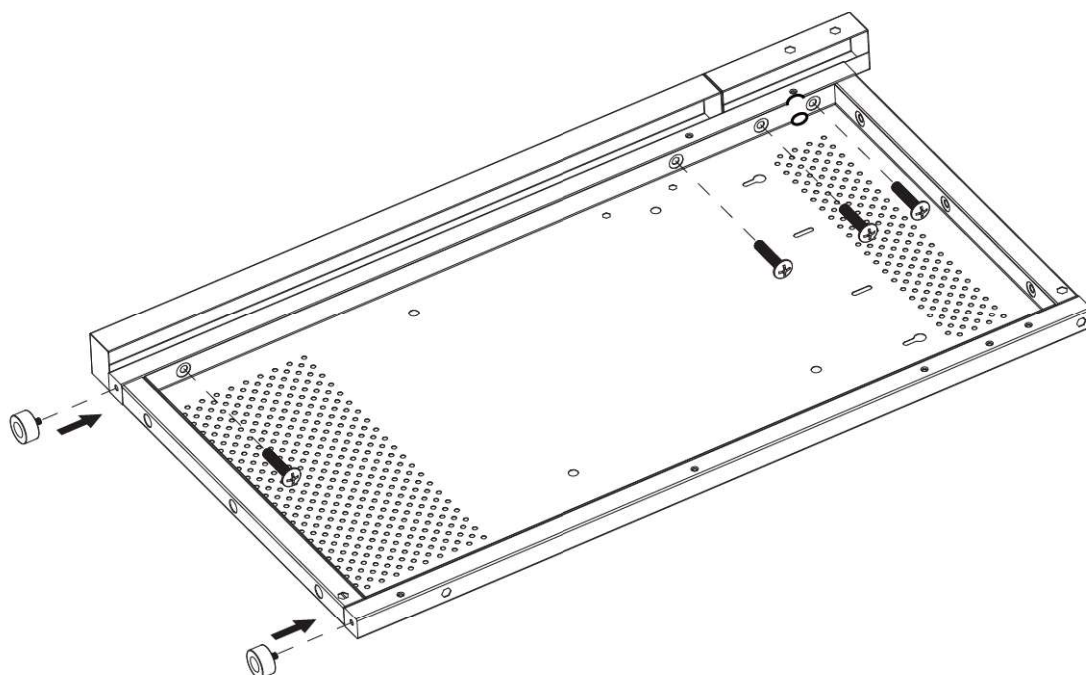
## 1

 2: M6x14



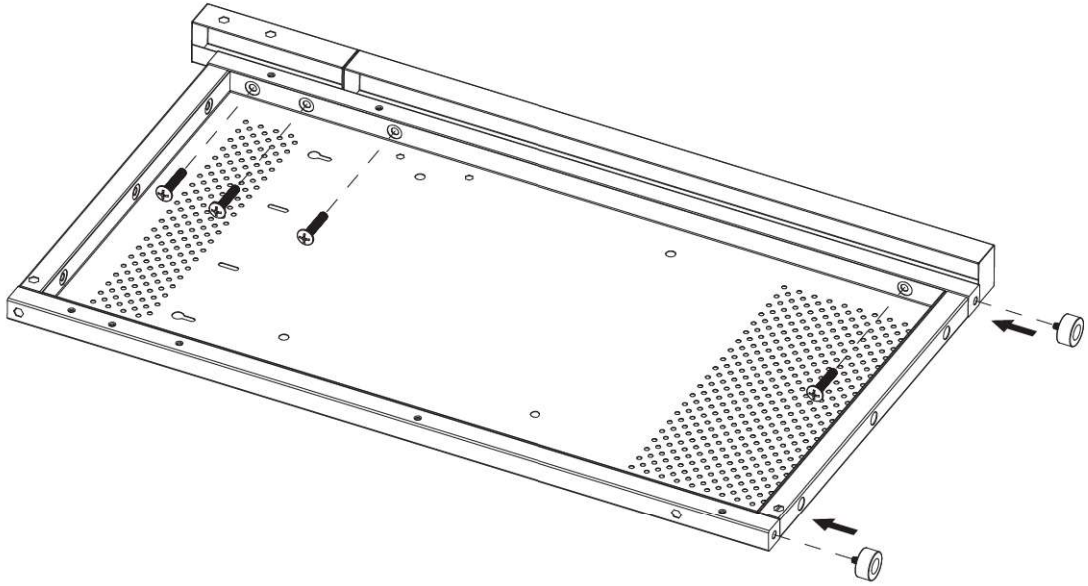
## 2

 4: M6x35

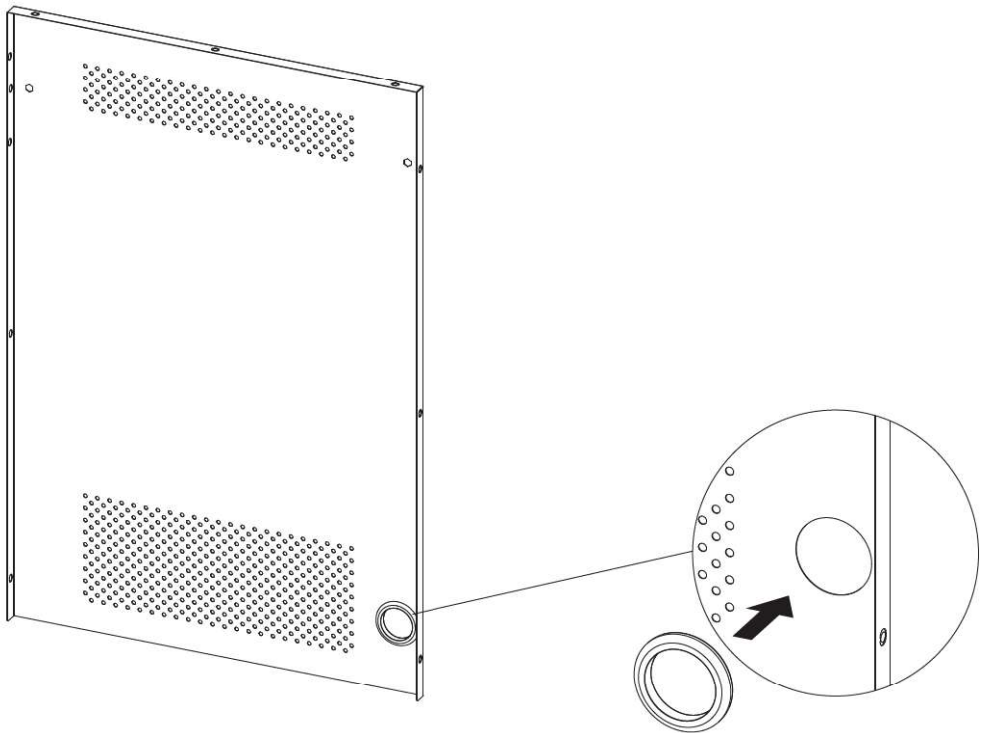


3

4: M6x35

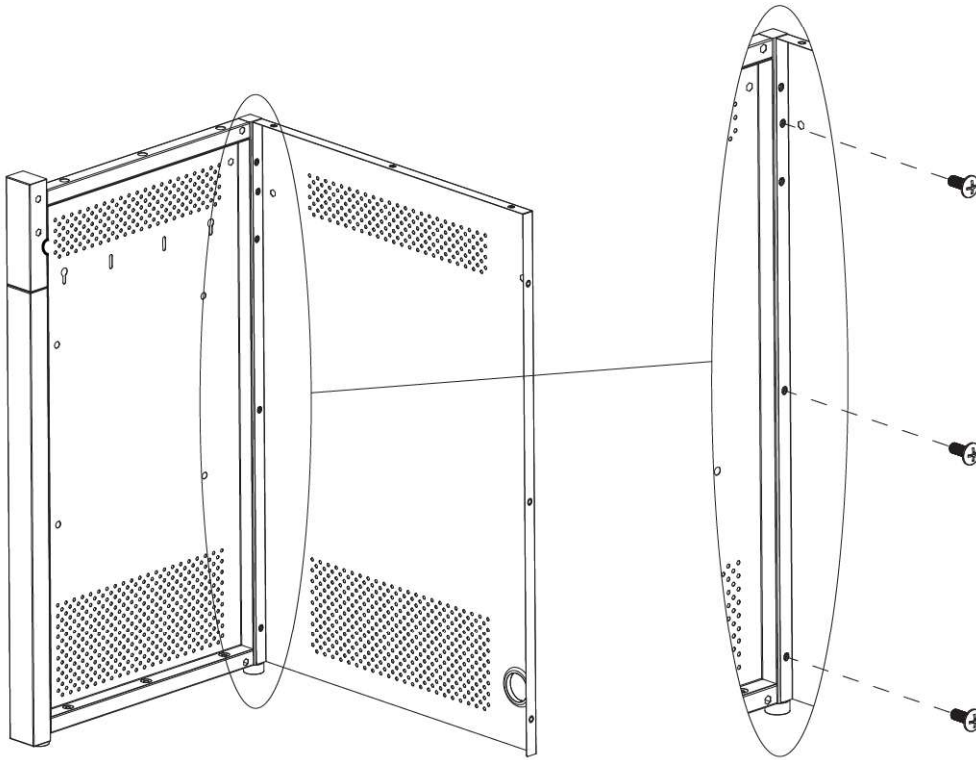


4



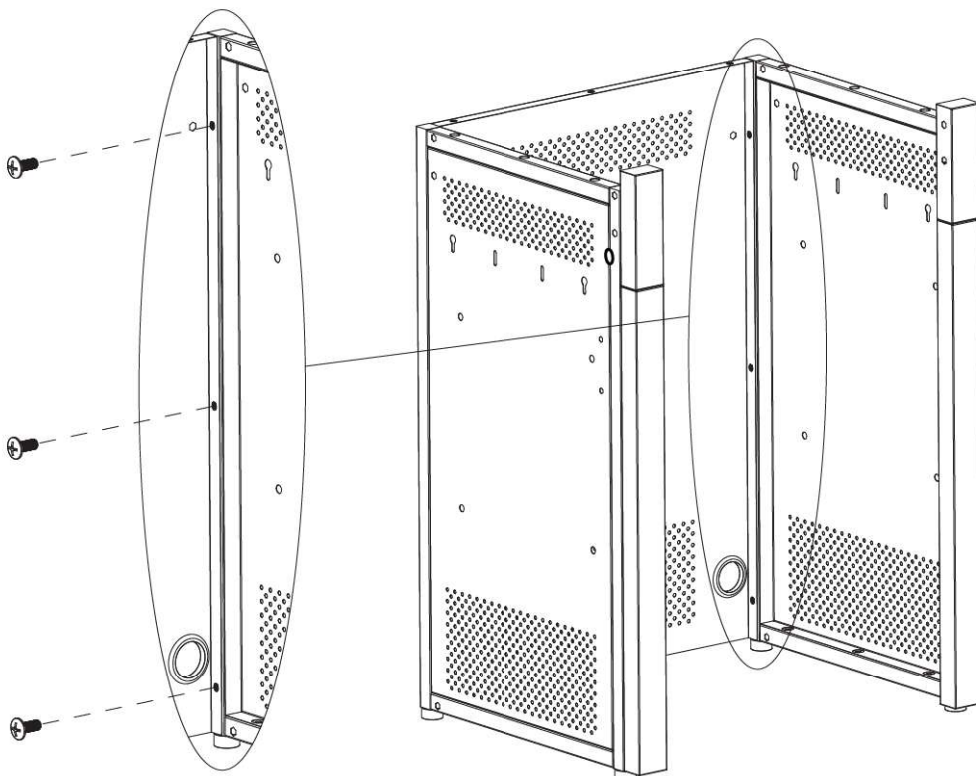
# 5

3: M6x14



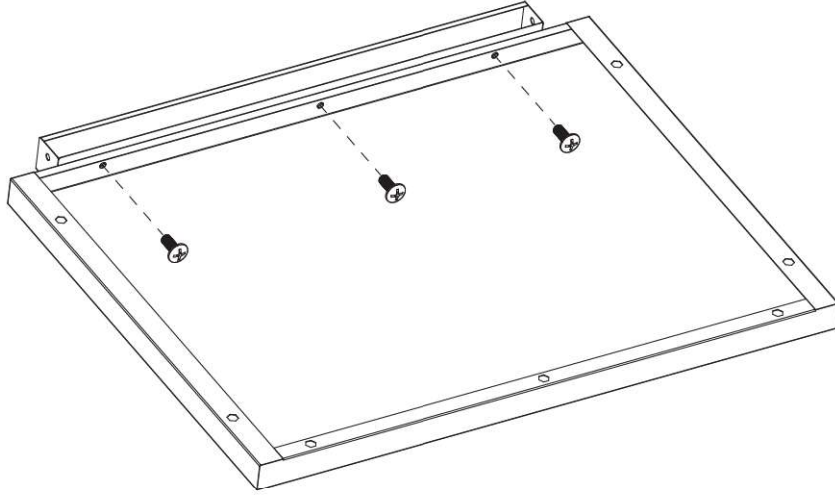
# 6

3: M6x14

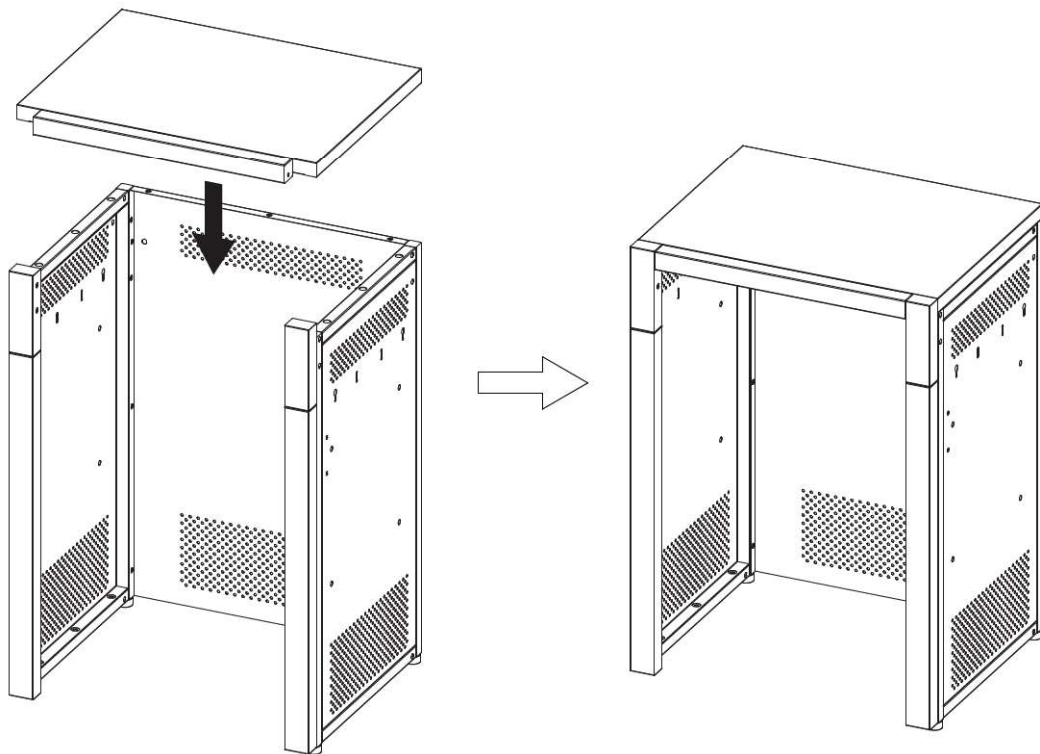


7

3: M6x14

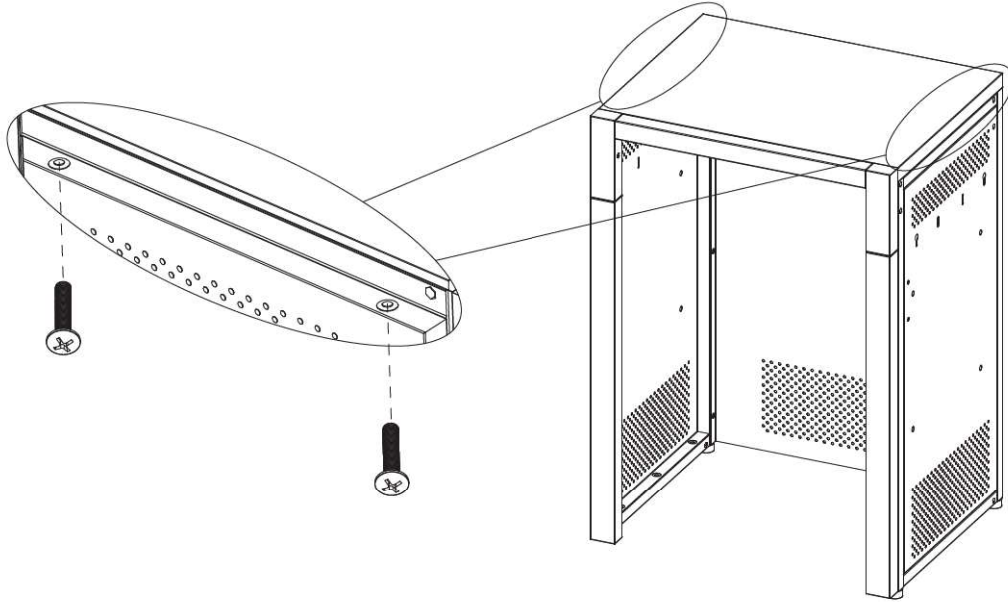


8



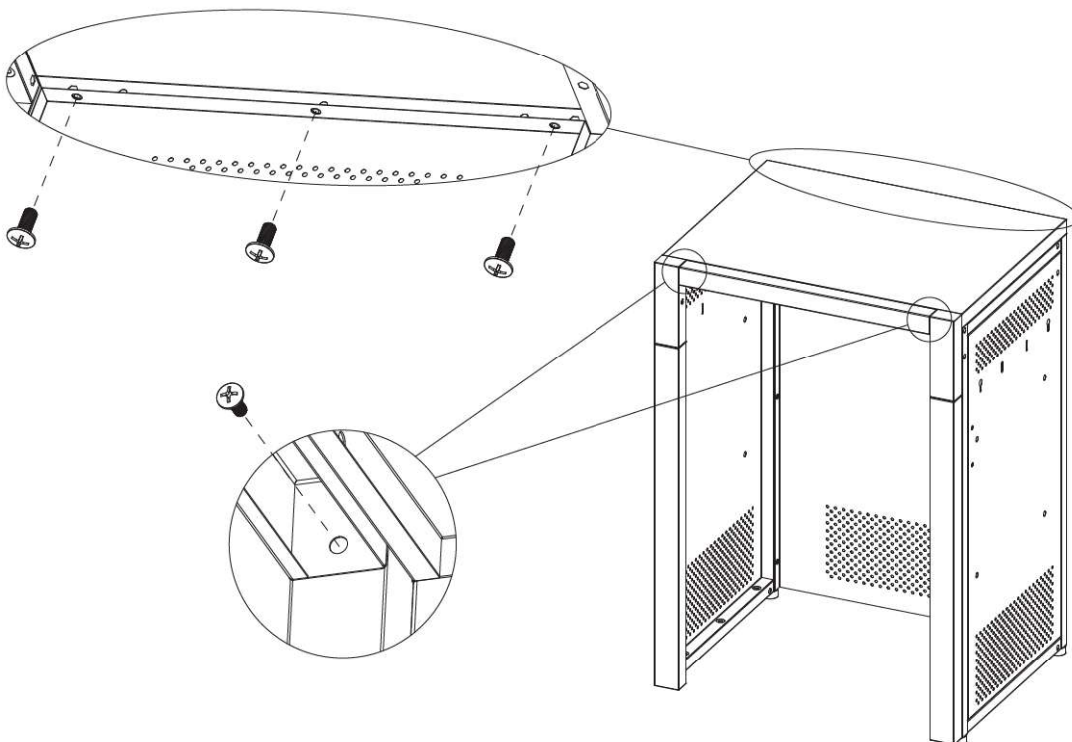
# 9

4: M6x35



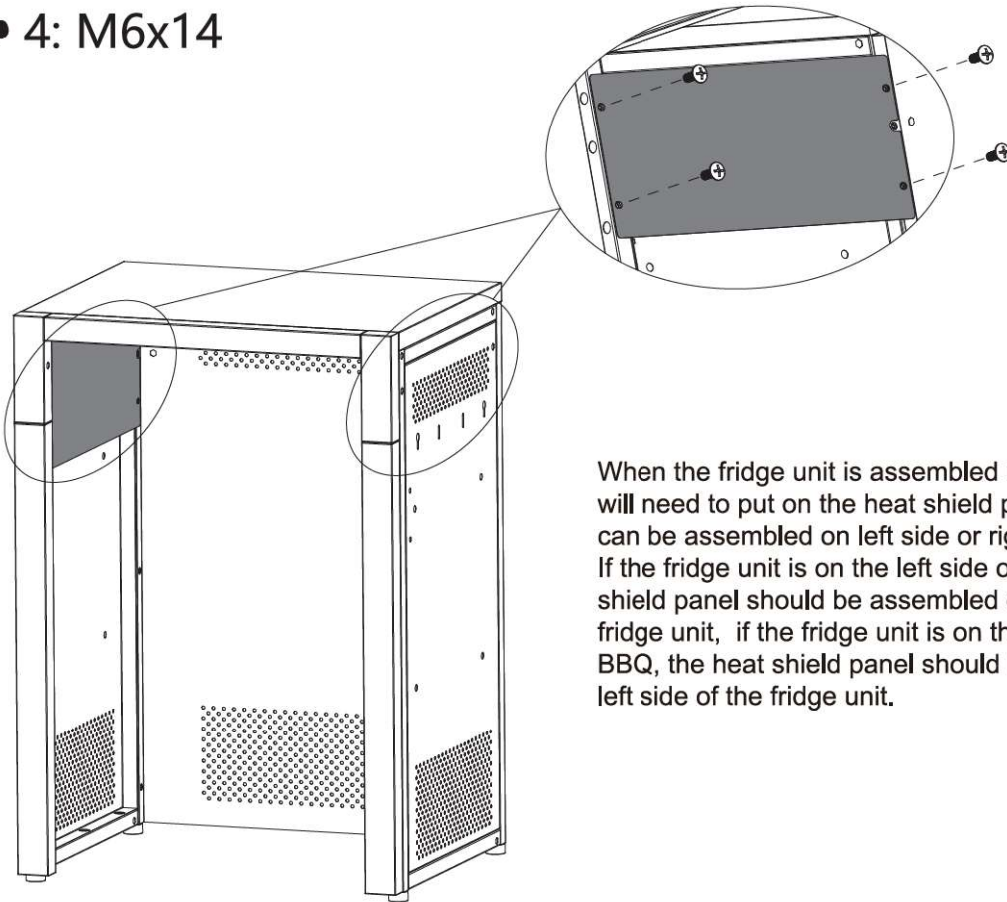
# 10

5: M6x14



# 11

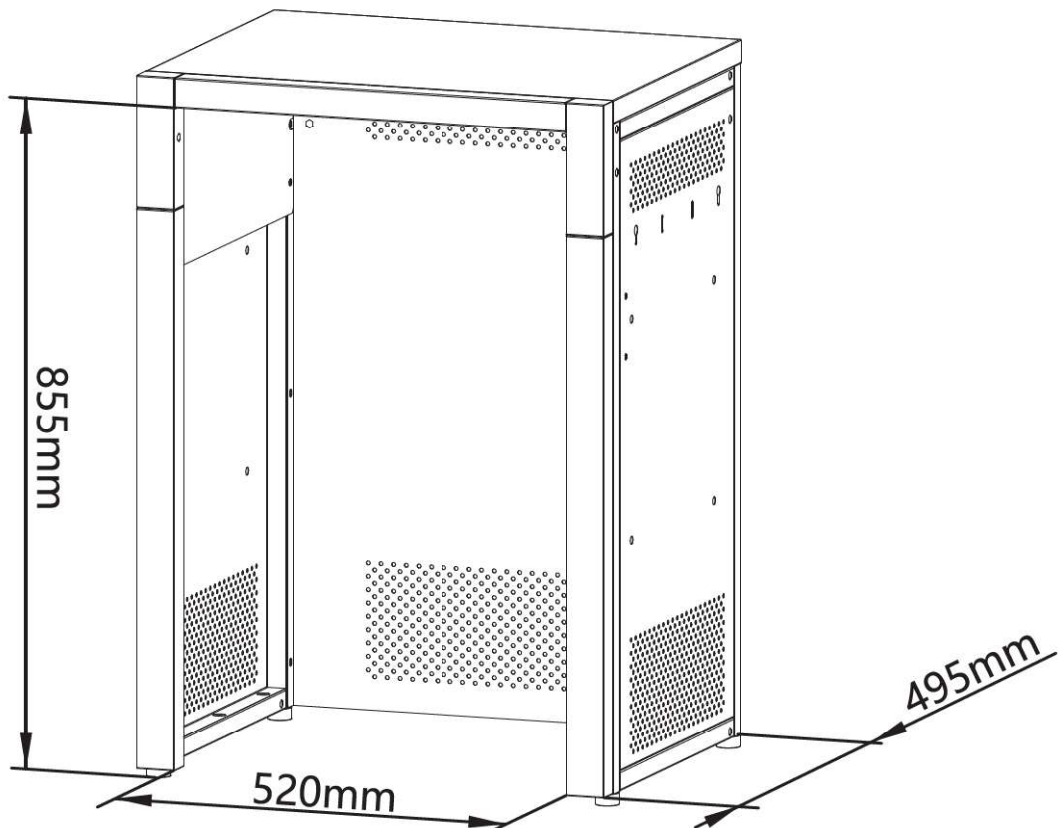
4: M6x14



When the fridge unit is assembled next to the gas BBQ, you will need to put on the heat shield panel, the heat shield panel can be assembled on left side or right side of the fridge unit. If the fridge unit is on the left side of the gas BBQ, the heat shield panel should be assembled on the right side of the fridge unit, if the fridge unit is on the right side of the gas BBQ, the heat shield panel should be assembled on the left side of the fridge unit.

# 12

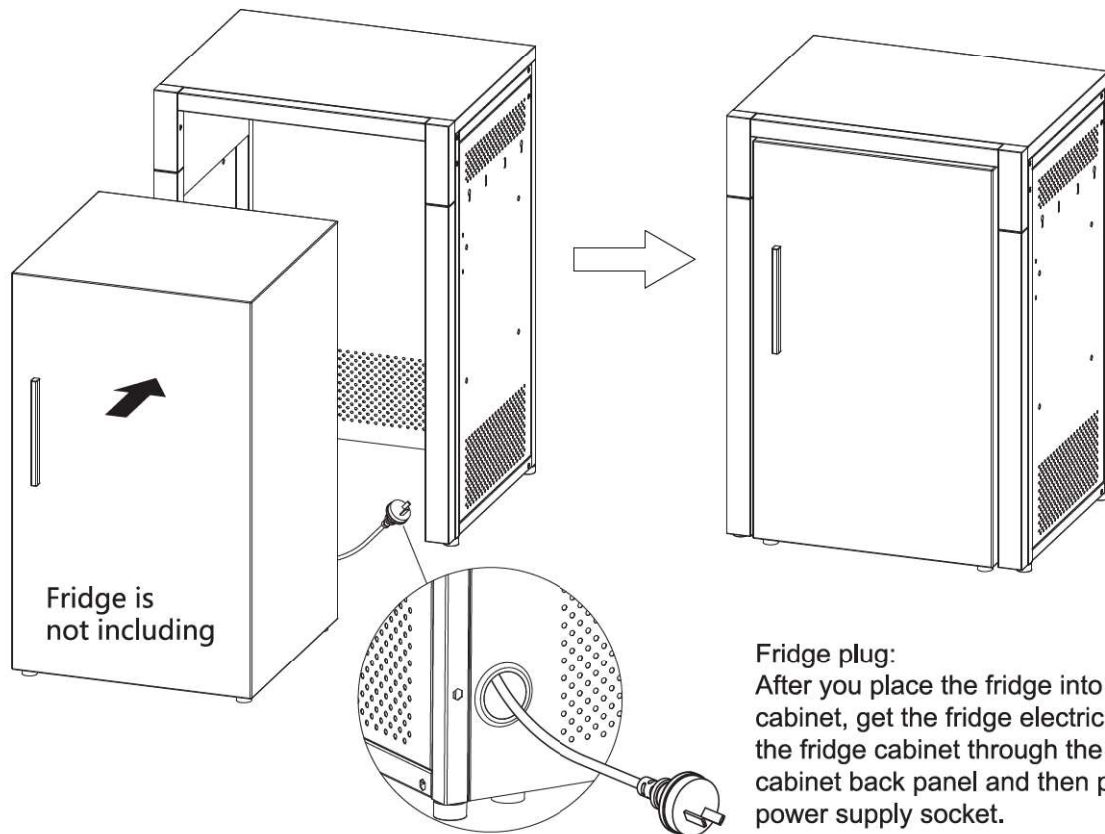
Space for fridge





# 13

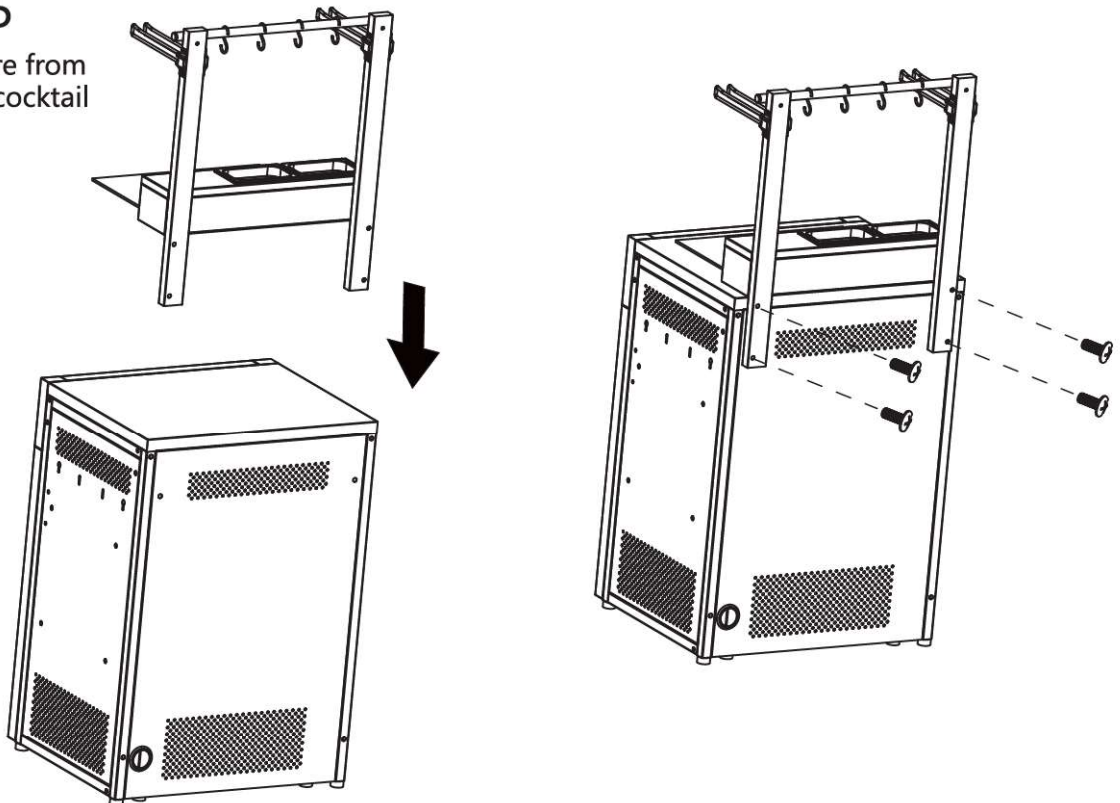
## Place the fridge



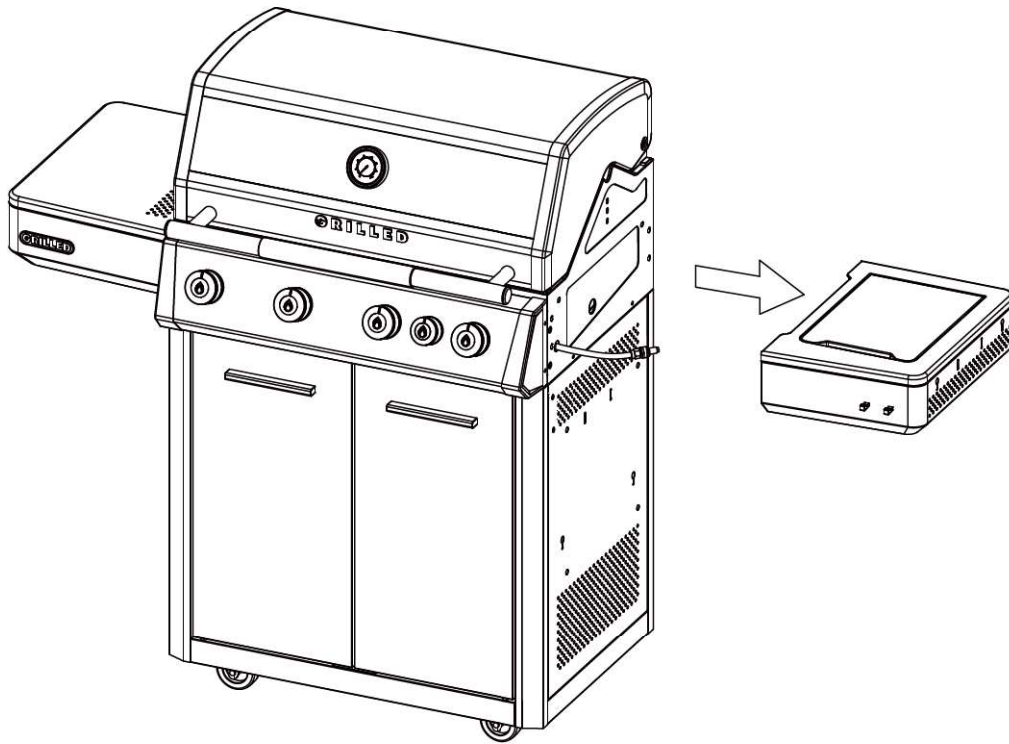
# 14

## 4: M6x45

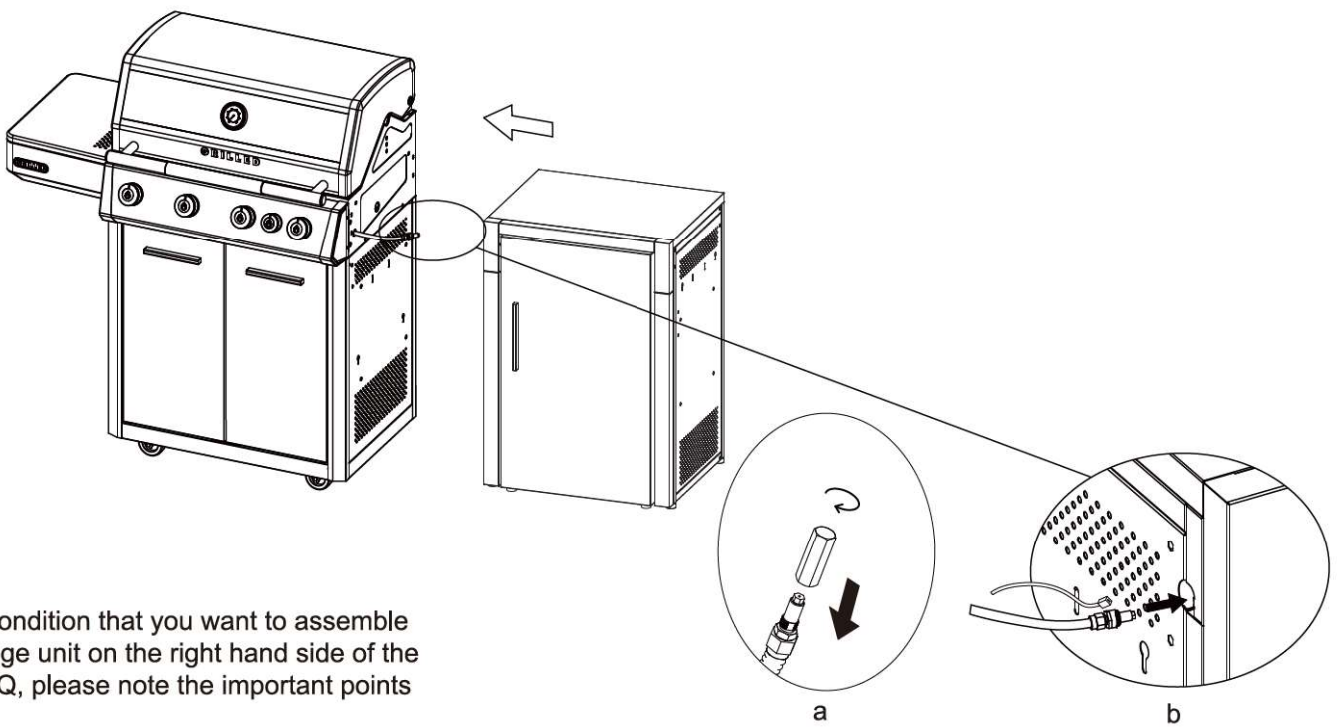
The 4 M6x45 bolts are from the bolt pack of the cocktail unit (2000633)



# 15



# 16

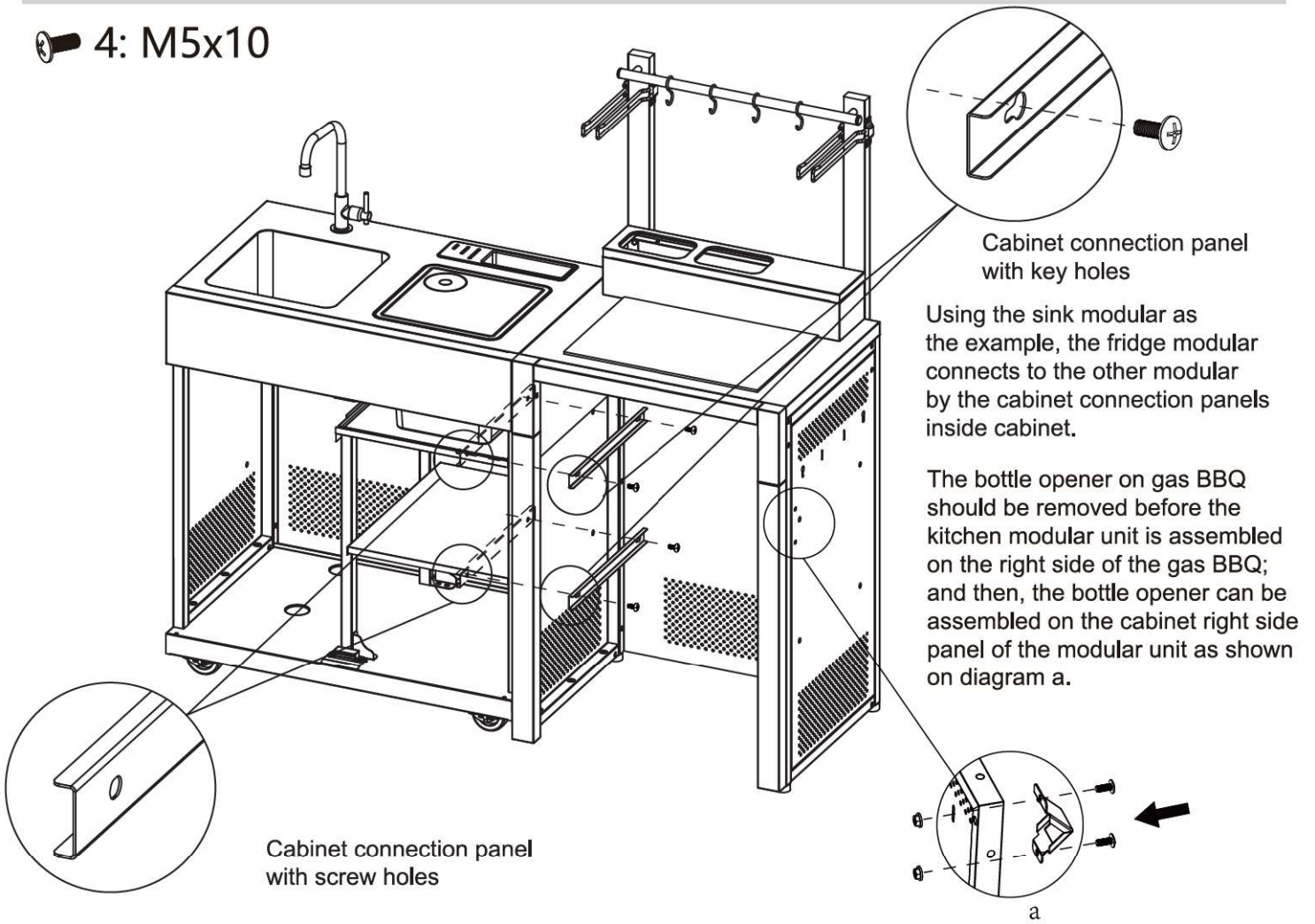


In the condition that you want to assemble the Fridge unit on the right hand side of the gas BBQ, please note the important points below:

- a: Make sure the blocking cap is assembled onto the side burner injector as shown on diagram a and make sure leak testing is done.
- b: The side burner injector and S/S flexible should be put into the Fridge unit through the hole on the cabinet left side panel as shown on diagram b

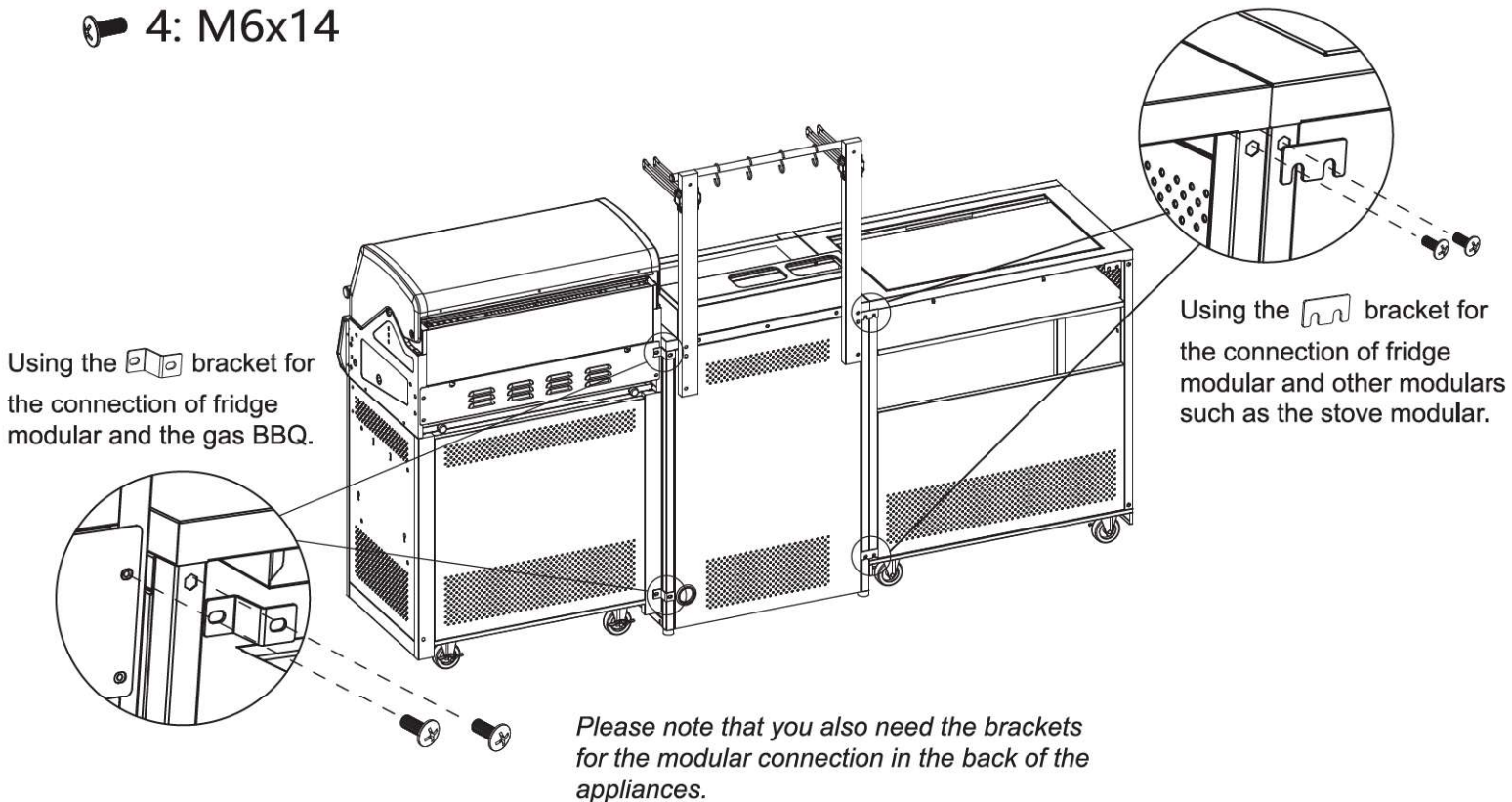
# 17

4: M5x10

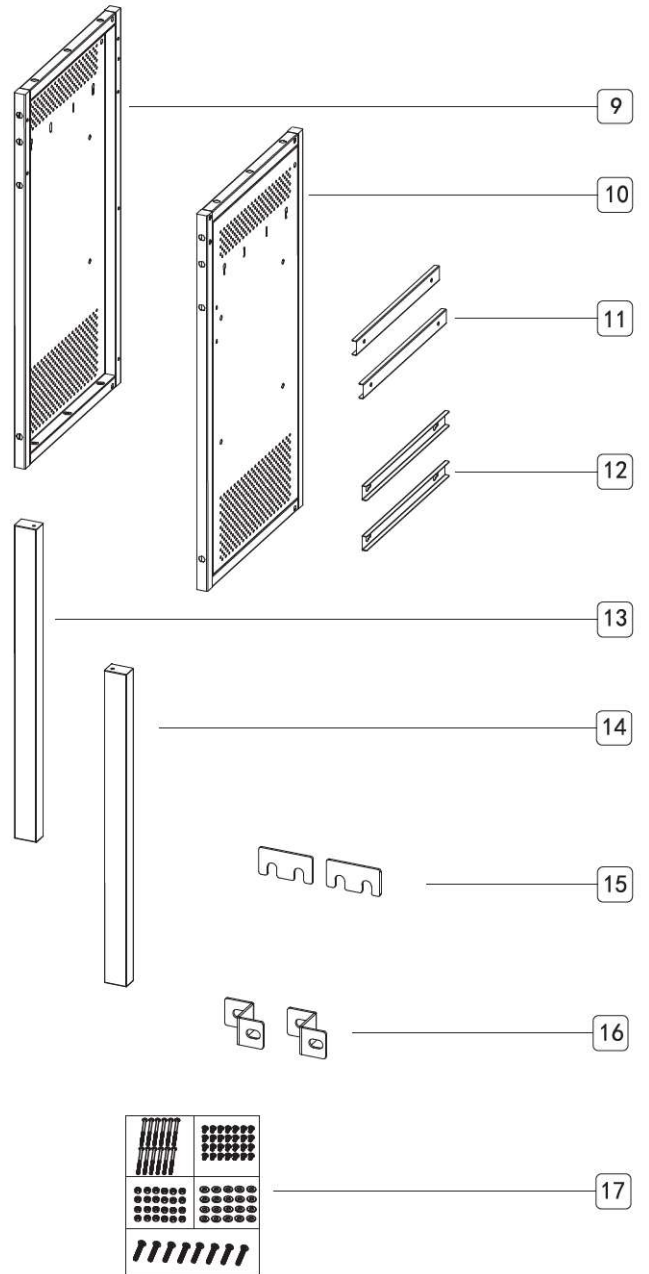
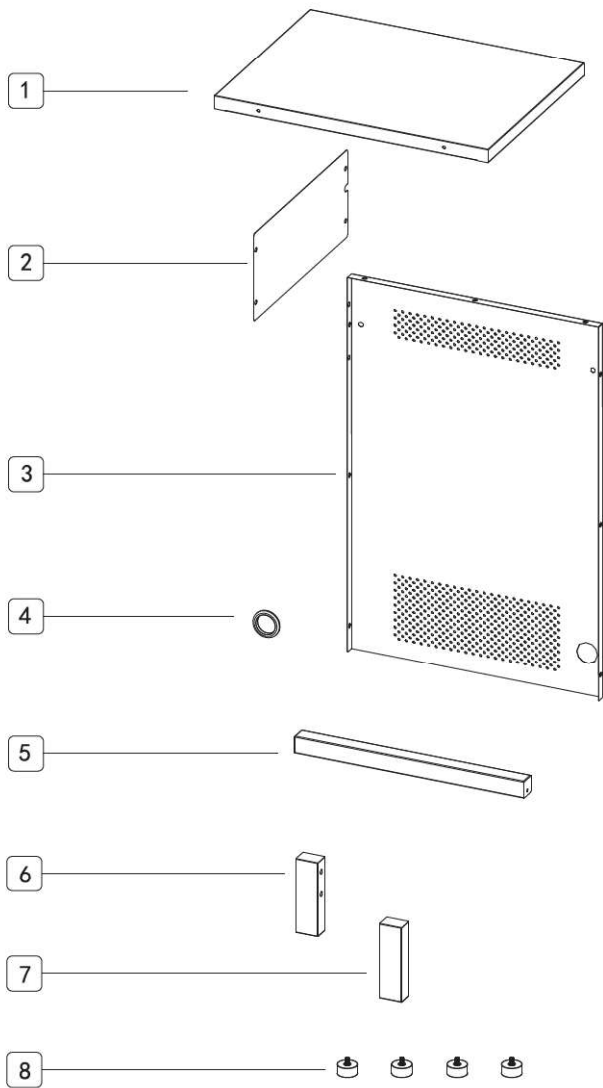


# 18

4: M6x14



# List of spare parts



PART NUMBER	PART NAME	SUPPLIER CODE
1	Cabinet top bench	MIFR0-00101-10060-081
2	Heat shield panel	MIFR0-00501-05060-080
3	Cabinet back panel	MIFR0-00301-04050-119
4	Rubber ring	TIST0-02301-00000-000
5	Cabinet front panel	MIFR0-00201-04060-122
6	Cabinet front decoration pane (left)	MIFR0-00801-04060-122
7	Cabinet front decoration pane ( right )	MIFR0-00901-04060-122
8	Foot plug	MIFR0-00701-32000-080
9	Cabinet side panel (left)	MIFR0-00501-04050-119
10	Cabinet side panel ( right )	MIFR0-00601-04050-119
11	Cabinet connection panel-1	MITB2-06001-04100-119
12	Cabinet connection panel-2	MITB2-06101-04100-119
13	Cabinet front decoration pane ( long left )	MIFR0-01001-04050-119
14	Cabinet front decoration pane ( long right )	MIFR0-01101-04050-119
15	Cabinet back connection bracket-1	MITB2-05001-04200-119
16	Cabinet back connection bracket-2	MITB2-05901-04200-119
17	Bolt pack	BP-M10-048-000

# 2 YEAR WARRANTY

YOUR APPLIANCE IS COVERED AGAINST DEFECTS FOR A PERIOD UP TO 2 YEAR FROM DATE OF PURCHASE FOR PARTS LABOUR AND REPAIR.

THIS WARRANTY EXCLUDES SURFACE RUST AND DAMAGE CAUSED BY ABUSE OR NEGLIGENCE.

PLEASE THOROUGHLY READ CONDITIONS OF THE WARRANTY

This warranty is given by Garth Australia Pty Ltd, Suite 14 981 North Road, Murrumbena, VIC 3163, AUSTRALIA at:

**[www.garthsupport.com](http://www.garthsupport.com)**

free call number is 0800 357 050

Email address – [info@garth.com.au](mailto:info@garth.com.au)

This warranty is provided in addition to other rights and remedies you may have under law: our goods come with guarantees which cannot be excluded under the Australian Consumer Law. You are entitled to replacement or refund for a major failure and to have the goods repaired or replaced if the goods fail to be of acceptable quality and the failure does not amount to a major failure.

Any claim under this warranty must be made within 2 year of the date of purchase of the product. Proof of purchase must be presented.

## CONDITIONS OF THE WARRANTY

- The product is warranted for a period of 2 year from date of purchase.
- Proof of purchase must be supplied when applying for warranty.
- The operating manual must be retained in a safe place.
- The appliance must be operated and maintained in accordance with the instructions supplied in the operating manual.
- Any repair does not extend the warranty period.
- Any parts other than original parts will void this warranty

## INSTALLATION CONDITIONS

- All installations must conform to the applicable Gas, Electrical and Building standards as laid down by the local codes for state or region.
- If the appliance is changed to natural gas (if applicable), it must be converted and installed by a licensed gas fitter.

# 2 YEAR WARRANTY

## WHAT IS NOT COVERED IN THE WARRANTY

- Removal or re-installation costs. This warranty does not cover costs for transit, nor in home service.
- No liability will be accepted for loss or damage during transit.
- Lack of maintenance, abuse, neglect, misuse, accidental or improper installation of this appliance.
- Scratches, dents, corrosion or discoloration caused by heat, abrasive chemical cleaners or chipping of porcelain enamel parts.
- Rusting of cast iron plates, grills or burners.
- Cleaning and wear and tear - service calls of this nature are chargeable
- Corrosion or damage caused by exposure to the elements such as insects, weather, hail or grease and fat fires.
- Commercial use of this appliance.
- Unauthorized repairs or modifications during the warranty period.
- Glass breakage due to misuse or overheating.

## RECORD THE FOLLOWING INFORMATION IMMEDIATELY

Date of purchase .....

Purchased from .....

Location .....

Model name and number .....

Serial number .....

Receipt number .....

Note: the serial number is located on both the outside of the packing carton and on the appliance data plate, either on the side of the bbq frame or inside the cabinet door.

## ATTACH THE PURCHASE RECEIPT TO THIS WARRANTY SHEET

## TECHNICAL ASSISTANCE

If you experience any technical issues with your BBQ, firstly review the operating manual and the troubleshooting sections or go to **www.garthsupport.com** or call: 0800 357 050.

## FOR WARRANTY CLAIMS OR SPARE PARTS PLEASE GO TO

**www.garthsupport.com**

To find your BBQ online go to the consumers section and select your country or region of purchase and follow the instructions