

MIMOSA[®]

Reversible Fire Basket

WITH FIRE POKER



Installation Guide

BUN-790-000

FOR OUTDOOR USE ONLY

READ INSTRUCTIONS CAREFULLY BEFORE ASSEMBLY OR USE
KEEP INSTRUCTIONS IN A SAFE PLACE FOR FUTURE REFERENCE

ASSEMBLY, SAFETY & OPERATING INSTRUCTIONS

IMPORTANT

Before you assemble, install, place or use this product for the first time, read and follow the supplied instructions and safety warnings. This is to prevent the potential of fire, personal injury or death or property damage as a result of improper usage. Improper installation, placement, adjustment, alteration, service or maintenance may cause property damage, injury or death.

- Your fire pit is warranted for 1 year for manufacturing defects and construction.
- During first use, you may notice a smell and excess smoke caused by curing paint. This is normal.
- Due to the nature of the fire pit, the paint will burn off over time, and the body may result in surface rust. The body can be restored and repainted as required. Refer to care and maintenance section of this manual.

GENERAL SAFETY TIPS

- Always wear fire proof gloves when handling the fire pit and fuel.
- Place your fire pit on a non combustible surface. To prevent accidental combustion or damage, do not place on unprotected decks, tiles, pavers, concrete, grass, synthetic grass, wood chips or leaves.
- For surfaces such as decks, tiles, pavers, and concrete, it is recommended to use a fire resistant mat which may be purchased from your nearest retailer.
- Ensure the fire pit is placed on an even, level surface, not on a sloping surface.
- Position your fire pit away from any building structure- house, pergola, garage, shed, trees, furniture.
- Check the weather forecast before using the fire pit. Do not use your fire pit during high winds.
- Never leave the fire pit unattended while in use. Monitor any children or pet activities around the fire pit at all times.
- Do not move the fire pit while it is operating or hot.
- Never use petrol or other liquid fuels to start a fire, re-start a fire or, enhance a fire. Never, ever pour any liquid fuel onto a fire that is already alight.
- Mark sure that the fire is completely extinguished before you leave the fire pit unattended.
- Do not disassemble or modify the fire pit in any manner other than as described within these instructions. Improper installation, adjustment, alteration, service or maintenance may cause injury, death or property damage. This appliance must be operated in accordance with the instructions provided. Failure to observe these instructions may lead to a fire resulting in personal injury or death or property damage.

- Installation clearance requirements must be adhered to. Please read the section on installation clearances before installing or placing this fire pit.
- Keep any combustible materials (such as unprotected decks, furniture) at least 1.5 metres away from the fire pit.
- To prevent accidental fire and/or smoke damage, remove all packaging before operating.
- Avoid installing or operating the fire pit, where a direct draft may affect or fan the flames.
- Do not cover or surround the fire pit with insulating materials.

OPERATING SAFETY

- Do not operate this fire pit during a total fire ban. Always observe any local or state codes or warning issued by the local fire department.
- While the fire pit is operating or hot, do not touch the main heating surface (fire bowl) or immediate surroundings as these areas may cause burns.
- Do not use the fire pit for any purpose other than its intended use.
- This fire pit is designed for use with fire wood and kindling only. Do not use any other fuel.
- This fire pit must not be used in conjunction with a gas log set or other fuel system- under no circumstances is this fire pit to be modified or retrofitted to burn any fuel other than what is described in these instructions.
- Do not leave the fire pit unattended while in use.
- Do not heat any unopened plastic, glass or metal containers on the fire pit. Pressure may build up and cause the container to burst, possibly resulting in serious personal injury or damage to the fire pit.
- Never move the fire pit when it is operating or hot.
- Do not use the fire pit as an incinerator- do not burn waste materials such as paper, plastics or garbage in this fire pit.
- Do not use this fire pit while under the influence of alcohol, prescription or non-prescription drugs or, any substance that may impair sound judgment.
- Do not extinguish the fire with cold water- this may damage the fire pit. Always use sand or, allow the fire to burn itself out naturally.
- Always use fire proof gloves and tools to load and manage the fire- never use your bare hands.
- Do not overfill the fire bowl- always observe any maximum fuel load recommendations.
- Do not allow wood to spill over onto the body or other decorative elements of the fire pit. All fuel must be burnt within the confines of the fire bowl.
- Avoid loose clothing while operating the fire pit.

FUEL HANDLING SAFETY

- Store wood fuel in a cool dry place-away from the possibility of sparks or embers.
- Keep fuels and fire-starters away from children and animals.
- Do not place any flammable liquid or gas fuels or fuel containers within 10 metres around the fire pit and always ensure that any fuel containers or cylinders nearby are sealed to prevent escaping vapour.

CHILD AND SAFETY

- Never let children operate the fire pit without close supervision.
- Fire pits and chimineas contain hot working surfaces that, if touched, may cause skin burns or scalding.
- Never leave children or pets unattended in the area where the fire pit is being used.
- Fireplace surfaces are hot during use. Close supervision of children is necessary when this appliance is operating. Do not store items of interest to children on, around or below the fire pit. Children climbing on the fire pit, to reach items, could damage the fire pit or be burned or seriously injured.

- Never allow children or pets to sit or stand on any part of the fire pit.
- Always allow hot fire tools and accessories to cool in a safe place, out of reach of children and pets.
- We recommend the use of a fire screen or guard to prevent children or pet from coming into direct contact with the surfaces of the fire pit while it is in use or hot.

IN CASE OF ACCIDENTAL FIRE

- In the event of an accidental fire, immediately turn the fire pit off by smothering the flames with sand or a fire extinguisher.
- For emergency purposes, we recommend the installation of an approved fire extinguisher in the vicinity of where the fire pit is installed.

MINIMUM CLEARANCES COMBUSTIBLES

Above the fire pit

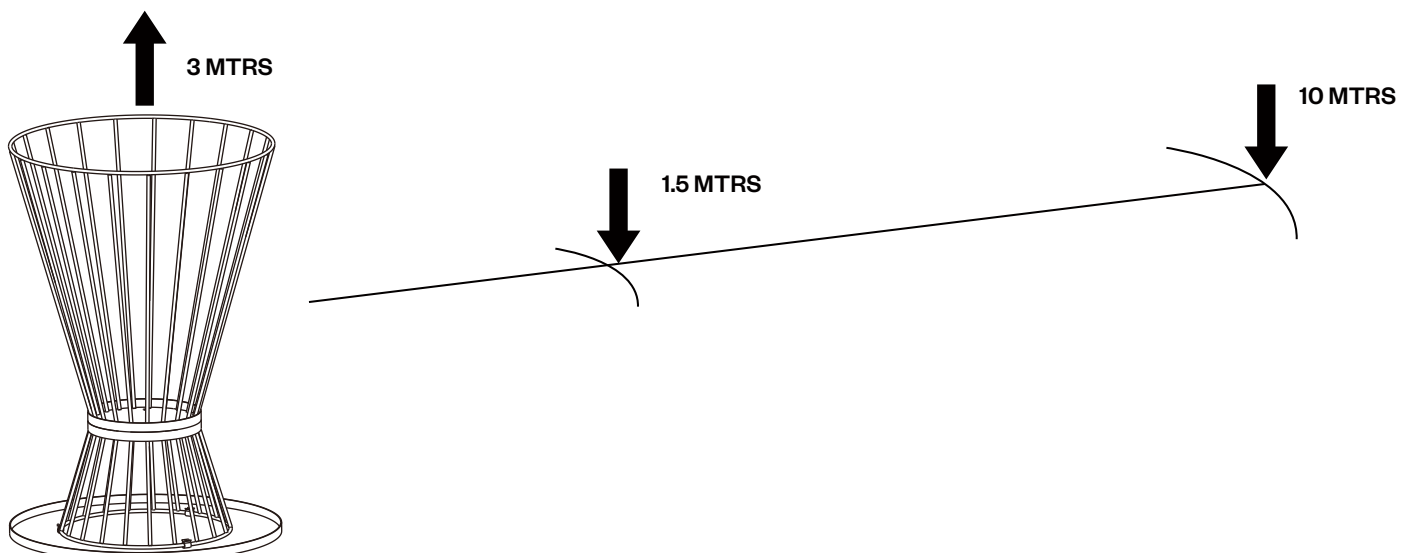
Minimum of 3 Metres to combustible materials. Do not use the fire pit under an awning or pergola if there is a risk of the structure or materials igniting.

Around the fire pit

Minimum of 1.5 Metres to combustible materials.

Liquid or Gas Fuels:

Minimum of 10 Metres - Do not store any liquid or gas fuels, cylinders or containers in the vicinity of the fire pit. Ensure all fuel containers are sealed tight to prevent escaping vapours.



UNPACKING YOUR FIRE PIT

- Ensure carton is in the upright position before attempting to remove the fire pit and components.
- Due to the weight-it is recommended that two people lift the fire pit components from the carton.
- Lay carton on a level surface, place a sheet or blanket on the ground to protect the surfaces of the fire pit when handling and unpacking.
- Carefully remove fire pit components from carton-ensure all components are located before disposing of packaging.
- Remove all packaging materials from the product prior to first use.

1. U(Washer) X3



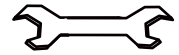
3. V(Nut) X3



5. T(M6X15mm) X3



2. Y(Wrench)



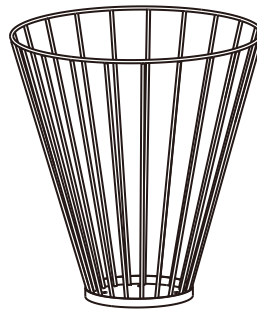
4. X(Allen Key)



6. Z(Poker)



7. Tall Pit



8. Short Pit



9. Base Plate



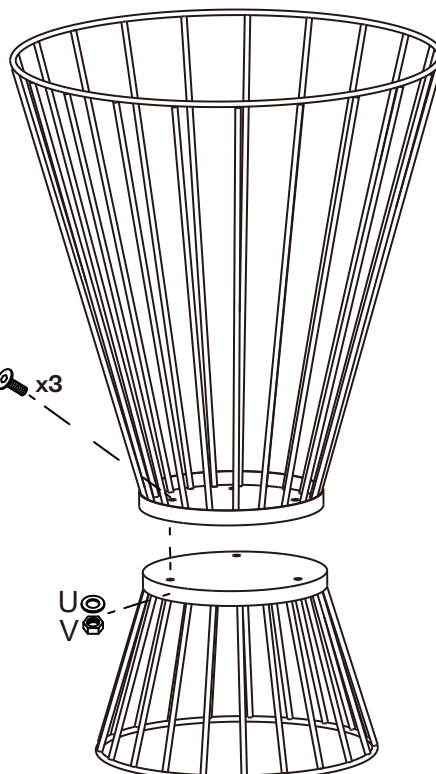
ASSEMBLY

Step 1.

Assemble Tall Pit on to Short Pit using 3 x Bolts(T), 3 x Washers(U) and 3 x Nuts(V)

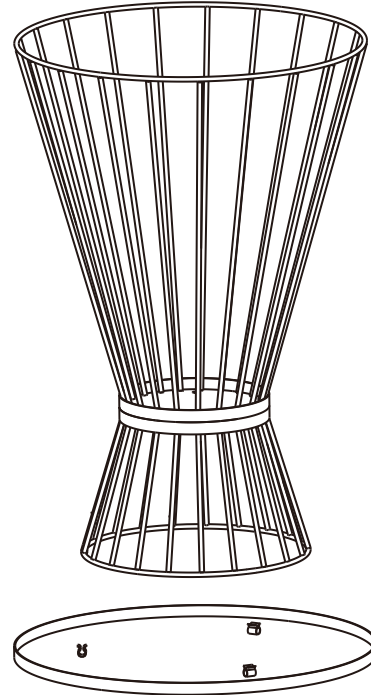
T -M6 x 15MM  x3

U 
V 



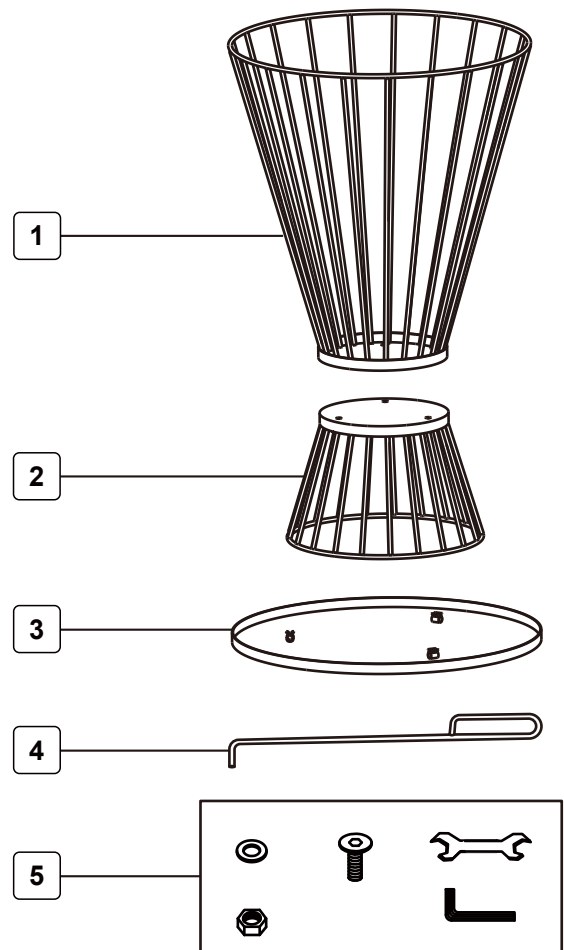
Step 2.

Place assembled fire pit onto the 3 metal buckles of the Base Plate(9)



LIST OF SPARE PART

PART NUMBER	PART NAME	SUPPLIER CODE
1	Tall fire pit	F7FP0-01301-04080-009
2	Short fire pit	F7FP0-00201-04080-009
3	Base plate	F7FP0-00801-04080-009
4	Poker	F7FP0-00601-04080-009
5	Bolt pack	BP-M10-139-AA



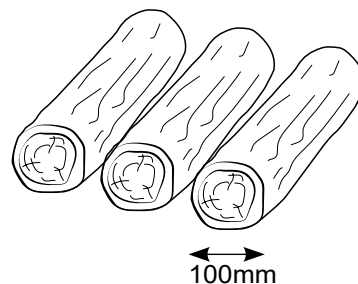
USING YOUR FIRE PIT

IMPORTANT:BEFORE ASSEMBLING OR USING YOUR FIRE PIT FOR THE FIRST TIME

- Always position your fire pit on a firm and level surface.
- Follow all operating and safety instructions in this manual prior to using your fire pit for the first time and subsequent uses.

IMPORTANT-FUEL TYPE AND LOADING

- This fire pit is designed to burn wood only.
- Do not burn coal or coal briquettes.
- The fire bowl is designed to burn small logs-approx 100mm/4in in diameter or less(as a guide) and a total fuel load not exceeding 5kgs at any one time. Exceeding this recommendation may damage the fire bowl or fire pit body.

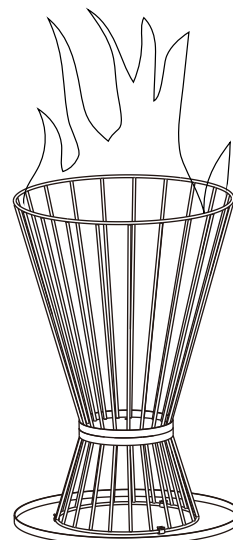


WARNING

- Never overload the fire bowl as this will lead to a hazardous situation that may damage the fire pit components.
- Never use the metal lid while the fire pit is burning. Always ensure the fire pits fully extinguished before placing the lid on the bowl.

FIRST FIRING

When using the fire pit for the first time-always start with a small fire and allow this to run until the initial fuel load is burnt through.This will assist the fire pit materials to cure and settle.



STARTING THE FIRE

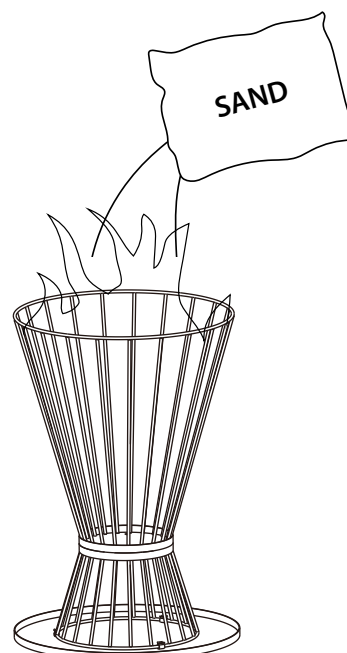
- Use a small amount of kindling and some fire starters-or wadded newspaper to get the fire started.
- Once the kindling is alight, you can slowly start to add some more firewood.
- Add firewood as required – but never overload the fire bowl.

EXTINGUISHING THE FIRE

Avoid using cold water to extinguish the flames as this may damage fire pit. Generally, the fire should always be allowed to die out naturally.However, if immediate shutdown of the fire is required, use sand to smother the flames.

As a safety precaution, always remember that coals can remain hot and glowing for up to a few days.

When emptying the fire bowl for cleaning or maintenance, always use a steel bucket to retain left over coals and sand.



CARE AND MAINTENANCE

Maintaining and caring for your fire pit is easy, with just a few simple steps to follow.

IMPORTANT TIPS:

- Never clean the fire pit or fire bowl when it is hot or still contains hot coals.
- Always allow the fire pit to cool completely before cleaning or maintenance.
- Avoid using harsh chemical cleaners, sprays or highly abrasive cleaning tools.
- Do not use high pressure water blasting devices to clean the surfaces of the fire pit body as this may damage or remove the surface coating.
- Always check any cleaning product on a small area of the underside of the product to confirm it is safe to use.

AFTER EACH USE

- Burnt wood and ash will collect in the tray.
- To maintain uninterrupted air flow for the product to work effectively and to avoid fires igniting underneath the fire bowl, the tray must be cleaned out after each use.
- When the fire pit has cooled down, carefully lift off the fire bowl off the base. Thoroughly clean out all the ash and burnt wood from the tray.
- Empty any debris from fire bowl into a metal container or bucket.
- Gently scrub the fire bowl with a sponge (or old scouring pad) with a mild detergent and warm water.
- Rinse the bowl with clean water and dry.
- Once you have cleaned the fire bowl and tray, position the grate into the fire bowl, ensuring a secure fit.
- To maintain the look of the fire bowl and protect the steel, it should be re-painted as needed, using a high temperature paint. (Available from your retailer).

PERIODIC MAINTENANCE

- Depending on the amount of use- at least once or twice a year- the fire pit and fire bowl should be cleaned according to the care and maintenance instructions supplied in these instructions.
- The fire bowl should be inspected to ensure it is not cracked or split. In the event the fire bowl is cracked or split, discontinue use immediately. Contact Bunnings in the event your fire bowl has split or cracked.
- If your Fire Pit needs to be re-painted, it is important this can be done as soon as possible. Exposed metal without paint will lead to the surface rusting.

STORAGE

When not in use, the fire pit should be protected from long term exposure to the elements: e.g. Sun, Wind, Rain.

Move the fire pit to a covered outdoor space or store the unit in a dry environment, for example, a garage or suitable storage space.

The fire pit should be covered to prevent exposure to moisture or dust and to prevent rusting.

WARRANTY

- The product is warranted for a period of 12 months from date of purchase.
- Proof of purchase must be supplied when applying for warranty.
- The operating manual must be retained in a safe place.
- The appliance must be operated and maintained in accordance with the instructions supplied in the operating manual.
- Any repair does not extend the warranty period.
- Any parts other than original parts will void this warranty.

WHAT IS NOT COVERED IN THE WARRANTY

- Removal or re-installation costs. This warranty does not cover costs for transit, nor in home service.
- Scratches, dents, corrosion or discoloration caused by heat, abrasive chemical cleaners or chipping of porcelain enamel parts.
- Cleaning and wear and tear - service calls of this nature are chargeable.
- Corrosion or damage caused by exposure to the elements such as insects, weather, hail or grease and fat fires.
- Unauthorized repairs or modifications during the warranty period.
- Cost of returning goods for repair or replacement.
- Damages caused by improper assembly or handling, misuse and/or abuse.
- Damages caused by lack of storage away from the elements.
- Failure to comply with use instructions.
- Non-residential use of Fire Pits, such as commercial use.
- Damage caused by acts of God or other natural forces.
- Use of parts and accessories other than those designed for Fire Pits.
- Modifying your Fire Pit will VOID its warranty.
- Normal wear and tear, rust or cosmetic damage. Stainless steel that gets as hot as your fire pit will develop a natural iron oxide patina.

WARRANTY

YOUR FIREPIT IS COVERED AGAINST DEFECTS FOR A PERIOD UP TO 12 MONTHS FROM DATE OF PURCHASE.

THIS WARRANTY EXCLUDES SURFACE RUST AND DAMAGE CAUSED BY ABUSE OR NEGLIGENCE.

PLEASE READ ALL CONDITIONS OF THE WARRANTY FOR WARRANTY CLAIMS

This warranty is given by
Bunnings Group Limited
ABN 26 008 672 179, Botanicca 3,
Level 2 East Tower 570 Swan Street.
Burnley, VIC 3121
E-mail: CustomerSupport@bunnings.com.au,
PH: 1800 797 586.

Bunnings NZ Limited:
PO Box 14436, Panmure Auckland 1741
E-mail :OnlineEnquiries@bunnings.co.nz
PH: 1800 797 586

www.garthsupport.com

For warranty purposes please enter the product number :

BUN-790-000

at www.garthsupport.com
or call 1800 427 841

Thank you for purchasing one of our quality Mimosa products. Please keep your receipt as proof of purchase, as this will authenticate your warranty. Any claim under this warranty must be made within 12 months of the date of purchase of the product. To make a claim under the warranty, take the product (with proof of purchase) to any Bunnings store (see www.bunnings.com.au (for AU) or www.bunnings.co.nz (for NZ) for store locations), or contact Garth Australia Pty Ltd. Garth Australia Pty Ltd. bears reasonable, direct expenses of claiming under the warranty. You may submit details and proof to Garth Australia Pty Ltd. for consideration. The warranty covers manufacturer defects in materials, workmanship and finish under normal use. This warranty is provided in addition to other rights and remedies you may have under law: our goods come with guarantees which cannot be excluded under the Australian Consumer Law or Consumer Guarantees Act 1993 (NZ). You are entitled to replacement or refund for a major failure and to compensation for other reasonably foreseeable loss or damage. You are also entitled to have the goods repaired or replaced if the goods fail to be of acceptable quality and the failure does not amount to a major failure. The warranty excludes damage resulting from product misuse or product neglect. The warranty covers domestic use only and does not apply to commercial applications.

RECORD THE FOLLOWING INFORMATION

Date of purchase
Purchased from
Location
Model name and number
Serial number
Receipt number

Note: the serial number is located on the outside of the packing carton

ATTACH THE RECEIPT TO THIS DOCUMENT



www.garthsupport.com

Dear Customer,
Congratulations on your purchase of a proudly designed and made Garth product.
If you have any questions or need spare parts please don't hesitate to contact us at www.garthsupport.com

From the Garth Support Team



GAC-778