

Garth Code : BUN-652-AB.24

Customer Item ID : 0709409

APN : 9333417025597      Outer Carton APN: 19333417025594

BBQ Name on Carton : Oxeo White

BBQ Name on Hood : N/A

#### Component Breakdown

Code	Box Length	Box Width	Box Height	Net Weight	Gross Weight
BUN-652-AB.24	760 mm	180 mm	145 mm	1.9 kg	2.7 kg

#### Assembled Dimensions

Overall Length	Overall Width	Overall Height	Overall Weight
725 mm	105 mm	100 mm	1.9 kg

#### Miscellaneous Information

Cooking Area	N/A
Total Heat Input	2000W
Supply Pressure	N/A
Gas Type	N/A
BBQ cover	NO



LISTED ON GARTHSUPPORT: YES

#### Position of Data Plate :

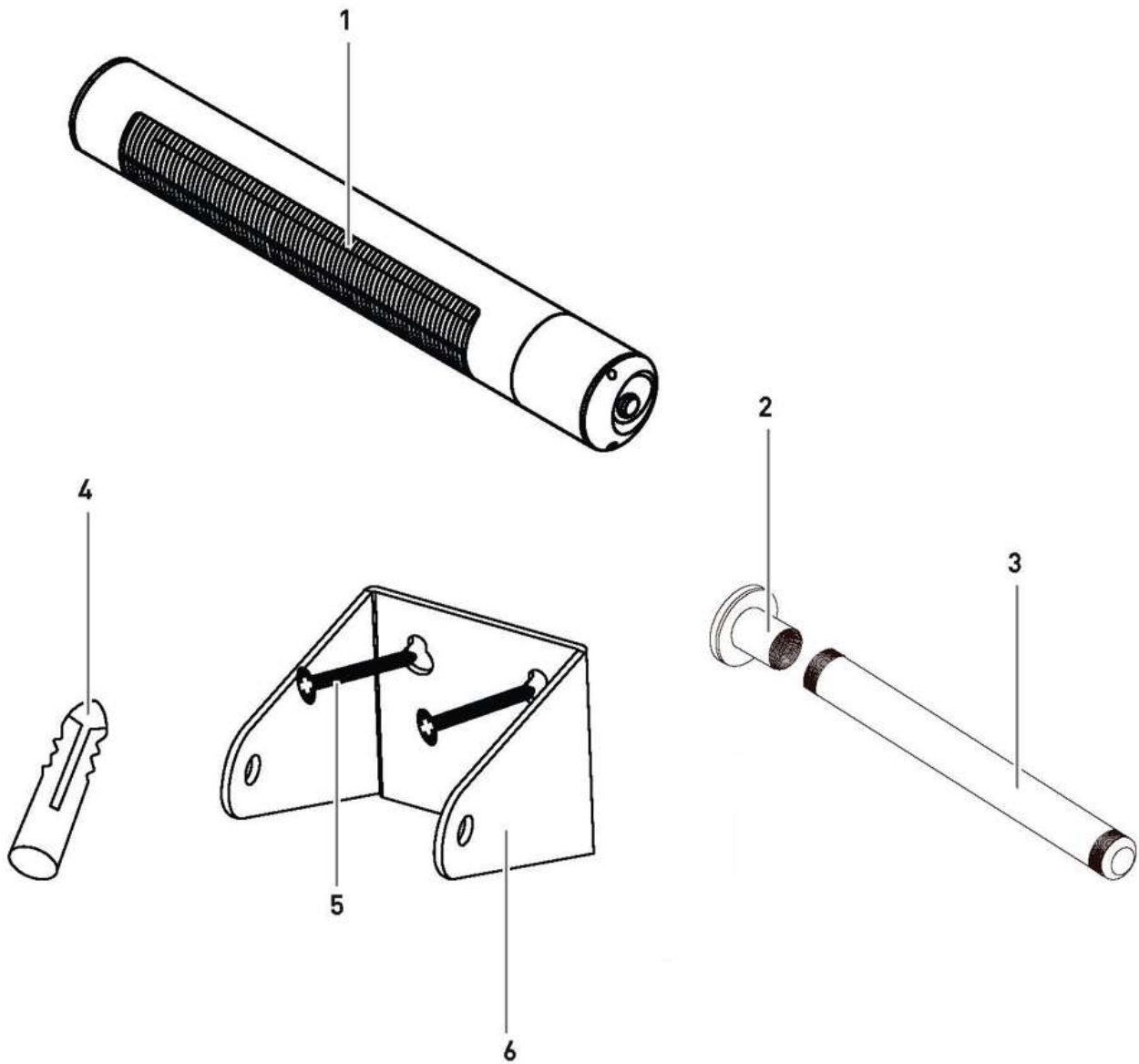
#### Features

3 power settings possible: 700 W, 1,300 W and 2,000 W

wonderfully safe infrared radiant heat

Adjustable tilt angle

with remote control and Wall mount



PART NUMBER	PART NAME	SUPPLIER CODE
1	Heater	140040016
2	Sleeve nut	140040017
3	Threaded connecting sleeve	140040018
4	Dowels	140040019
5	Screws	140040020
6	Wall bracket	140040021
7	Remote control (not illustrated)	140040022