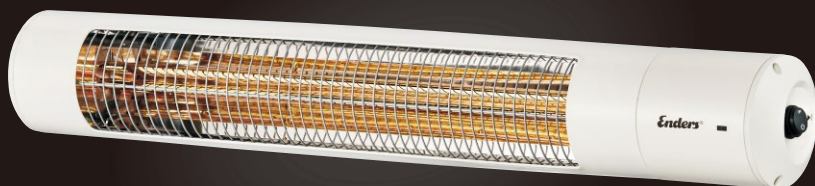


OXEO WHITE

WALL RADIATORS

BUN-652-AB.24 (0709409)

Enders[®]



www.enders-germany.com

CONTENTS

ABOUT THIS WALL-MOUNTED HEATER UNIT

3

SYMBOLS AND MEANINGS

3

SAFETY WARNINGS

4

SAFETY INSTRUCTIONS

UNPACKING

5

SAFETY INSTRUCTIONS
REQUIRED TOOLS
PARTS DESCRIPTION
SCOPE OF DELIVERY

ASSEMBLY

6

SAFETY INSTRUCTIONS

COMMISSIONING

6

SAFETY INSTRUCTIONS
ASSEMBLY PROCESS

CLEANING/MAINTENANCE

9

SAFETY INSTRUCTIONS
INTERNAL TROUBLESHOOTING

STORAGE/TRANSPORT

10

SAFETY INSTRUCTIONS

BATTERY REMOTE CONTROL

10

DISPOSAL

11

TECHNICAL SPECIFICATIONS

11

WARRANTY

12

SPARE PARTS

14

MANUFACTURER

16

ABOUT THIS WALL-MOUNTED HEATER UNIT

Congratulations on purchasing this Enders product!

The ELECTRIC HEATING UNIT must be installed and used in accordance with these operating instructions.

Read the operating instructions before installation and operation. Only use the product as described in these operating instructions in order to prevent injury or damage.

The device must be set up in compliance with the instructions and local regulations. The operating instructions must be stored for future reference. If the product is given to someone else then please include these operating instructions. These operating instructions can also be downloaded from our website at www.enders-germany.com in PDF format.

We hope you have a lot of pleasure with your Enders ELECTRIC HEATER UNIT.

SYMBOLS AND MEANINGS



This symbol warns of possible injuries or property damage and damage to the device.



When unpacking, place **soft padding** beneath the unit to avoid scratches and damage.



Helpful **tips** and **information**.



Operating instructions should be followed.



To avoid scratching the device **do not use a blade** or similar sharp objects to open the packaging.

IP55 Device:

Protected against contact with the fingers and against dust. It is further protected against hose water.

SAFETY WARNINGS



Please read these instructions carefully before using your new heating unit

Always think about safety before you use the device. A few safety checks should therefore be carried out before each use.

- Protection category IP55: Protected against contact with the fingers and against dust. It is further protected against hose water.
- Although the heating unit is protected from splashes or jets of water, do not use it in the rain.
- This device is intended solely for domestic use and is not suitable for continuous operation.
- Make sure that the electric heating unit is free of any packaging material.
- Place the heating unit on an even surface.
- The heating unit becomes hot during use. Do not touch the hot surface of the heating unit
- **WARNING!** To minimise the risk of fire, textiles, curtains and all flammable materials should be kept at least 1 m away from the air outlet.
- Ensure particular care is taken when using the heating unit near children.
- The heating unit must not be left unattended while in use.
- Always disconnect the mains plug when the heating unit is not in use.
- Do not use the heating unit, if the plug or the power cable are damaged or if the device is malfunctioning or if there are visible signs of damage.
- Lay the electric cable so that there is no risk of tripping.
- Make sure repairs are carried out by specialists. Please follow the warranty conditions.
- Make sure that the socket is readily accessible if used on the move so that the plug can be quickly pulled out in case of emergency.
- Do not use this heating unit if it has been dropped.
- Do not use the heating unit in bathrooms, showers or in any area immediately next to a swimming pool.
- When turning the heater off, always ensure that the dial is set to the „0“ (OFF) position. Never disconnect the unit by pulling on the cable; instead pull the plug out of the socket.
- Do not allow any foreign objects to enter into the heating unit as these may cause an electric shock or pose a fire risk.
- To avoid the risk of fire, do not place any objects on or over the heater.
- Do not use in any locations where highly flammable substances, e.g. petrol or paint, are stored.
- Only use the heating unit for its intended purpose of heating.
- Do not allow children to play with the appliance.
- The heater must not be used directly beneath a plug socket.
- Ensure that the device has completely cooled down before storing it.
- If the power cord of this device is damaged, it must be replaced by the manufacturer, their service department or a similarly qualified person in order to avoid injuries.
- The device is not intended for use by persons with reduced physical, sensory or mental capabilities or lack of experience, by persons lacking knowledge or by children under the age of 8 unless they are supervised by a person responsible for their safety or receive instruction on how the device is used.
- Risk of death by suffocation/swallowing. Keep the packaging material out of reach of children and dispose of it immediately.
- Children younger than 3 years of age must be supervised at all times.
- Children between 3 years of age and 8 years of age may only switch the device on and off if they are supervised or have been instructed on how to use the device safely and have understood the dangers involved, provided that the device is in its normal operating position
- Children between 3 and 8 years of age must not set up, clean or carry out maintenance on the device.
- Children over 8 years of age may only use the device if they are supervised or have been instructed on how to use the device safely and have understood the dangers involved.
- Children over 8 years of age must not carry out cleaning or user maintenance without supervision.
- **CAUTION!** Some parts of the heater can get very hot and cause burns. Any children or persons requiring care must be very closely supervised.
- Do not use the heating unit with a timer switch which automatically turns on the heater as this poses a fire risk if the heating unit is covered or positioned incorrectly.
- The heater is not fitted with a climate control device.
- **WARNING!** Do not use the device in small rooms where there are individuals with limited mobility who are unable to leave the room on their own and where continuous supervision is not ensured.
- **WARNING!** To prevent the heating unit from overheating, do not cover it.
- In the installation area, the product must be at least 1.8 m from the floor, 0.5 m from the ceiling and 0.5 m from the wall.
- The appliance is not to be used by persons (including children) with reduced physical, sensory or mental capabilities, or lack of experience and knowledge, unless they have been given supervision or instruction. Children being supervised not to play with the appliance.
- **Warning:** Fire risk exists if the heater is covered by or positioned close to curtains or other combustible materials.

UNPACKING

SAFETY INSTRUCTIONS



■ Despite careful processing of all individual parts, individual components may have sharp edges. Therefore, please wear safety gloves to prevent cuts.

■ Risk of death by suffocation/swallowing. Keep the packaging material out of reach of children and dispose of it immediately.

■ When unpacking, check that all parts are intact and complete before initial commissioning. Inbetriebnahme.

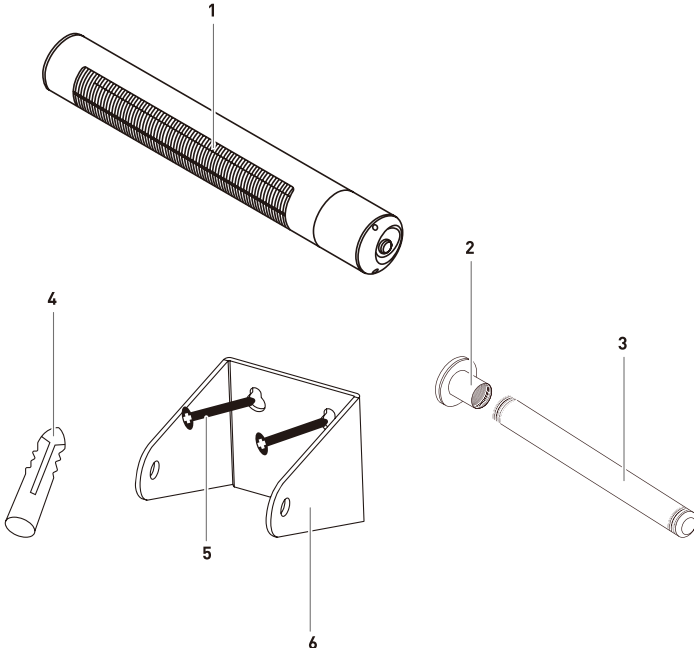
REQUIRED TOOLS



PARTS DESCRIPTION

No.	Description	Quantity
1	WALL HEATER	1
2	Sleeve nut	2
3	Threaded connecting sleeve	1
4	Dowel	3
5	Screws	3
6	Wall bracket	1
7	Remote control (no illustration)	1

SCOPE OF DELIVERY



ASSEMBLY

SAFETY WARNINGS



- Despite careful processing of all individual parts, individual components may have sharp edges. Therefore, please wear safety gloves to prevent cuts.
- Remove all packaging and protective film from the individual parts prior to assembly.
- Risk of death by suffocation/swallowing. Keep the packaging material out of reach of children and dispose of it immediately. Also keep small parts out of their reach.

REQUIRED TOOLS



COMMISSIONING

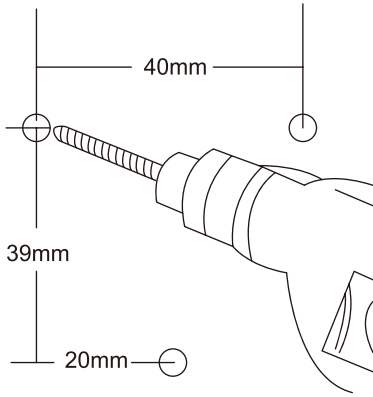
SAFETY INSTRUCTIONS




- Remove all packaging and protective film from the individual parts prior to assembly.
- Risk of death by suffocation/swallowing. Keep the packaging material out of reach of children and dispose of it immediately.

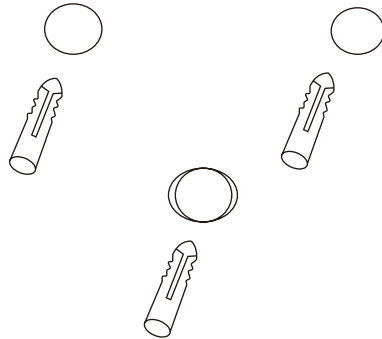
ASSEMBLY PROCESS

01

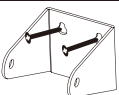
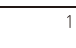


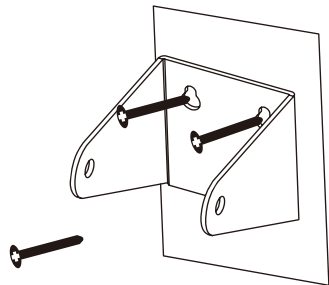
02



No.	Illustration	Quantity
4		3

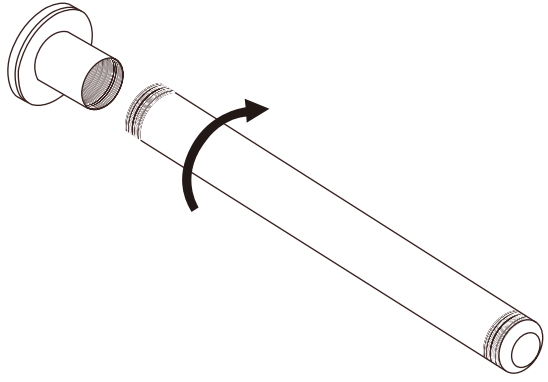


03

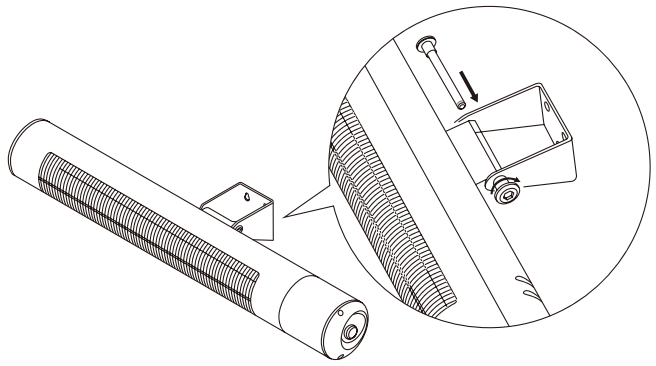
No.	Illustration	Quantity
5		3
6		1



No.	Illustration	Quantity
2		1
3		1



No.	Illustration	Quantity
2		1



OPERATION

Connect the power cable with a 220-230 V, 10 A socket in a secure and dry location.

- The toggle switch is used to switch the unit on/off. When the unit is switched on, the LED on the right side lights up red.
- The touch button controls the power levels of the unit.
- Although the heating unit is protected from splashes of water, do not use it in the rain.
- The plug should be disconnected from the socket after every use.
- Point the remote control at the receiver on the electric heater - the LED on the right side of the heater will light up red
- As soon as you press the switch [2] on the remote control, the LED lights up green.
- You can now switch on the power levels in stages

REMOTE CONTROL

- **On:** Switch on the heating element.
- **++:** Increase the heating levels: 700 W, 1,300 W, and 2,000 W.
- **--:** Decrease the heating levels: 2,000 W, 1,300 W, and 700 W.
- **Off:** Switch off the heating element.



CLEANING/MAINTENANCE

SAFETY INSTRUCTIONS



- **Hot surface:** Make sure the ELECTRIC HEATING UNIT has cooled down sufficiently before cleaning.
- Once the heater has cooled down and has been disconnected from the power supply, the outer casing of the ELECTRIC HEATING UNIT may be wiped down with a dry cloth
- Never use corrosive or solvent products to do so

RISK OF FIRE AND EXPLOSION

- Do not use flammable cleaning agents.
- Do not modify the device or the mains plug.
- Parts sealed by the manufacturer must not be manipulated or modified
- Any maintenance work should only be carried out by a qualified electrician



- Wipe dirty surfaces with a dry cloth.
- When using a mild cleaning agents, also observe the notices/product information of the product manufacturer to prevent damaging the surface.



INTERNAL TROUBLESHOOTING

- In the event of any faults, please contact a qualified electrician or the manufacturer.

STORAGE/TRANSPORT

SAFETY INSTRUCTIONS



- Make sure that the ELECTRIC HEATING UNIT is disconnected from the mains and has cooled down fully.
- Keep the device in a frost-free, dry location. Cover the device to prevent dirt

BATTERY OPERATED REMOTE CONTROL

WARNINGS



Danger for children and persons with reduced physical, sensory or mental capabilities (e.g. partially disabled people, elderly people with reduced physical and mental capabilities) or a lack of experience and knowledge (e.g. children).

- Children under the age of 8 must be kept away from the device.
- Children over 8 years of age may only switch the device on and off if they are supervised or have been instructed on how to use the device safely and have understood the dangers involved.
- CAUTION: Risk of explosion if batteries are not handled properly.
- Batteries must not be charged, reactivated by other means, taken apart, thrown into fire, heated, or short-circuited. Otherwise there is an increased risk of explosion and leakage, and gases may escape!
- Ensure that the battery fluid does not come into contact with skin, eyes and mucous membranes. In case of contact, immediately rinse the affected area with plenty of clean water and seek immediate medical attention.
- 2 x AAA batteries are required for the remote control. These are not included in the scope of delivery.
- If necessary, clean the battery and device contacts before inserting them.
- Remove the batteries when they are flat or the device will not be used for extended periods. This way you avoid damage that can be caused by battery leakages.
- Do not expose batteries to extreme conditions e.g. by storing these on radiators or in direct sunlight. Increased risk of leakage!
- Never short-circuit the terminals.
- INSERTING/REPLACING BATTERIES No tools are required to install the batteries.
- Be sure to replace all batteries at the same time.
- Only use the specified battery type and install correctly per the + and – polarity marks.
- Never mix battery types or new and old batteries.
- RECHARGEABLE BATTERIES Please do not use these batteries with other types of batteries. Remove the batteries before charging. Charging requires adult supervision. DO NOT CHARGE OTHER TYPES OF BATTERIES.
- Make sure that the ELECTRIC WALL HEATER is disconnected from the mains and has cooled down fully.
- Keep the device in a frost-free, dry location. Cover the device to prevent dirt build-up and damages.

DISPOSAL



The product packaging is made of recyclable materials. Please dispose of packaging according to material type in the designated collection containers

If you no longer wish to keep the product, do not throw it in the household waste. This ensures that old devices can be properly recycled, thus preventing environmental damage. Ask your local waste disposal company or your local administration about options for environmentally friendly and resource-saving disposal methods.

TECHNICAL SPECIFICATIONS

Model:	OXEO WHITE BUN-652-AB.24
Item no.:	0709409
Mains connection:	220-240 V 50/60 Hz
Maximum wattage:	2,000 W
Device protection type:	IP55
Dimensions:	W 72,5 x D 10,6 x H 10 cm
Vers.-Nr.:	241220

WARRANTY

Thank you for purchasing one of our quality Patio Heaters.

YOUR PATIO HEATER IS COVERED AGAINST DEFECTS FOR A PERIOD OF 2 YEARS FOR PARTS AND LABOUR, REPAIR OR REPLACEMENT.

THIS WARRANTY EXCLUDES SURFACE RUST AND DAMAGE CAUSED BY ABUSE OR NEGLIGENCE.

CONDITIONS OF THE WARRANTY

- The appliance must be operated and maintained in accordance with the instructions supplied in the operating manual.
- Any repair does not extend the warranty period.
- Any parts other than original parts will void this warranty.

Installation Conditions

- All installations must conform to the applicable Gas Electrical and Building standards as laid down by the local codes for state or region.
- If the appliance is changed to natural gas (if applicable) it must be converted and installed by a licensed gas fitter.

FOR WARRANTY CLAIMS

Garth Australia Pty Ltd
Suite 14 981 North Road, Murrumbeena
VIC 3163.AUSTRALIA
T: +61 3 8566 7660 F: +61 3 9391 7287
www.garthsupport.com

Garth support website: www.garthsupport.com
Email: info@garth.com.au
Call for Australia: 1800 427 841
Call for New Zealand: 0800 357 050

Any claim under this warranty must be made within 2 years of the date of purchase of the product.

Proof of purchase must be presented.

For Australian Customers

To make a claim under the warranty please contact Garth support website: www.garthsupport.com or return the product (with proof of purchase) to any Bunnings store. [see: www.bunnings.com.au for store locations]

Garth Australia bears reasonable, direct expenses of claiming under the warranty.

The warranty covers manufacturer defects in materials, workmanship and finish under normal use.

This warranty is provided in addition to other rights and remedies you may have under law: our goods come with guarantees which cannot be excluded under the Australian Consumer Law. You are entitled to replacement or refund for a major failure and to compensation for other reasonably foreseeable loss or damage. You are also entitled to have the goods repaired or replaced if the goods fail to be of acceptable quality and the failure does not amount to a major failure.

The warranty excludes damage resulting from product misuse or product neglect. The warranty covers domestic use only and does not apply to commercial applications.

For New Zealand Customers

To make a claim under the warranty, take the product (with proof of purchase) to any Bunnings store [see www.bunnings.co.nz for store locations].

Garth Australia Pty Ltd bears reasonable, direct expenses of claiming under the warranty. You may submit details and proof to www.garthsupport.com for consideration.

The warranty covers manufacturer defects in material, workmanship and finish under normal use.

The warranty is provided in addition to other rights and remedies you may have under law: our goods come with guarantees which cannot be excluded under the Consumer Guarantees Act 1993 (NZ). You are entitled to replacement or refund for a major failure and to compensation for other reasonably foreseeable loss or damage. You are also entitled to have the goods repaired or replaced if the goods fail to be of acceptable quality and the failure does not amount to a major failure.

The warranty excludes damage resulting from product misuse or product neglect. The warranty covers domestic use only and does not apply to commercial applications.

Goods presented for repair may be replaced by refurbished goods of the same type rather than being repaired. Refurbished parts may be used to repair the goods.

WARRANTY

WHAT IS NOT COVERED IN THE WARRANTY

- Removal or re-installation costs. This warranty does not cover costs for transit, nor in home service.
- Lack of maintenance, abuse, neglect, misuse, accidental or improper installation of this appliance.
- Scratches, dents, corrosion or discoloration caused by heat, abrasive chemical cleaners or chipping of porcelain enamel parts.
- Corrosion or damage caused by exposure to the elements such as insects, weather, hail or grease and fat fires.
- Cleaning and wear and tear; service calls of this nature are chargeable.
- Commercial use of the product.
- Unauthorized repairs or modifications during the warranty period.
- Glass breakage due to misuse or overheating
- Consumable items, example - batteries.

RECORD THE FOLLOWING INFORMATION

Attach the copy of the purchase receipt here:

Date of Purchase _____
Purchased From _____
Location _____
Model Name and Number _____
Charging Number _____
Receipt Number _____

Note: The charging number is located either on the outside of the packing carton or outside or inside the appliance.

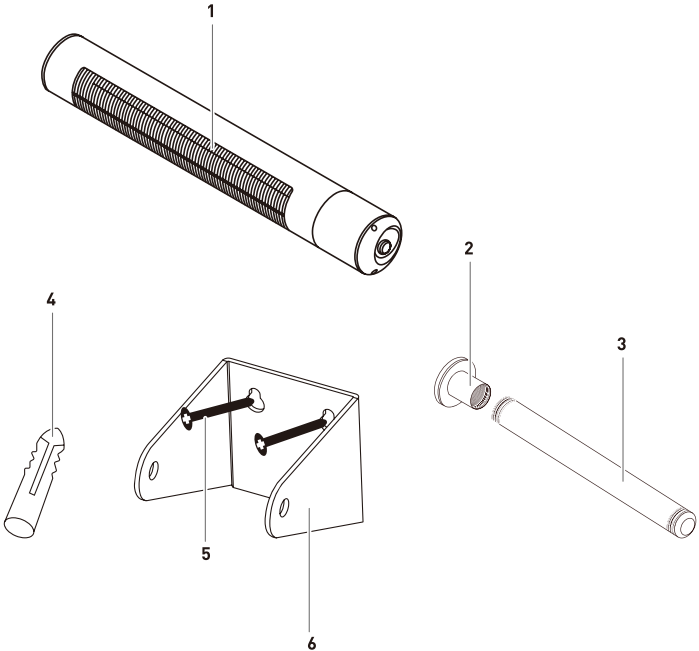
FOR TECHNICAL ASSISTANCE

If you experience any technical issues with your Patio Heater, in the first instance review the instruction manual or contact the Garth Australia Pty Ltd via communication channels outline on page 12.

FOR SPARE PARTS

Go to <https://garthsupport.com/spare-parts/> select your heater and fill out the online form to order required parts.

SPARE PARTS



PART NUMBER	PARTNAME	SUPLPLIER CODE
1	Heater	140040016
2	Sleeve nut	140040017
3	Threaded connecting sleeve	140040018
4	Dowels	140040019
5	Screws	140040020
6	Wall bracket	140040021
7	Remote control (not illustrated)	140040022

MANUFACTURER

Enders Coltsman AG

Brauck 1

D-58791 Werdohl, Deutschland

+ 49 (0) 2392 9782 30

Subject to colour variations and technical modifications for the purpose of product improvement.